



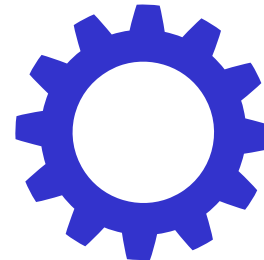
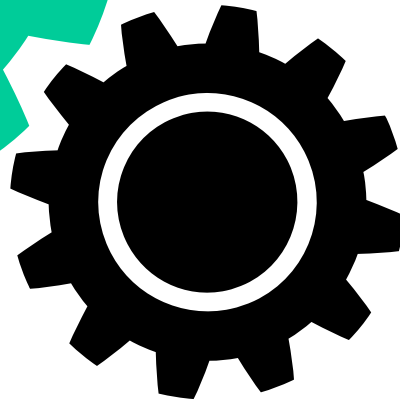
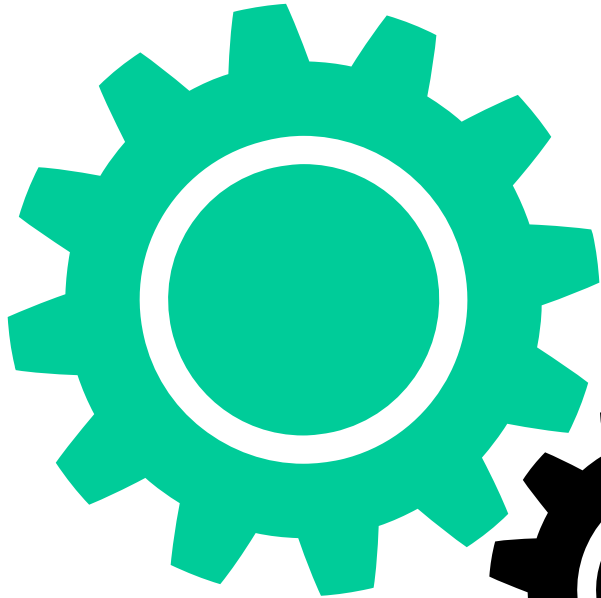
2 wires digital intercom

October 2016



- ✦ Specification & features.
- ✦ Outdoor units.
- ✦ Digital repeater.
- ✦ Indoor units.
- ✦ Kits range.
- ✦ ++Modules.
- ✦ Diagrams.





Specification & features



Specification



Characteristics:

- Digital transmission of audio, video and data.
- 2 wires, non polarized BUS.
- Up to 32 (23) monitors in a system (expandable using RD-GB2).
- Up to 4 entry panels Nexa.
- Up to 200 meters distance: from panel to last monitor.
- Suitable for retrofit, very flexible with cable type.
- Easy to program through dip switches.

Benefits:

Saves time and installation mistakes.

Installation costs saving.

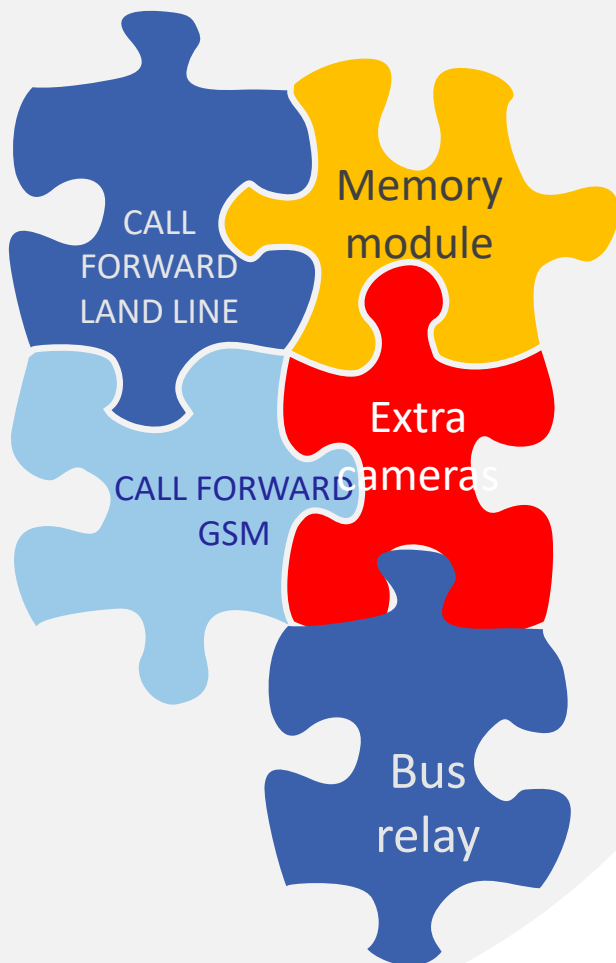
More profit for all parties.



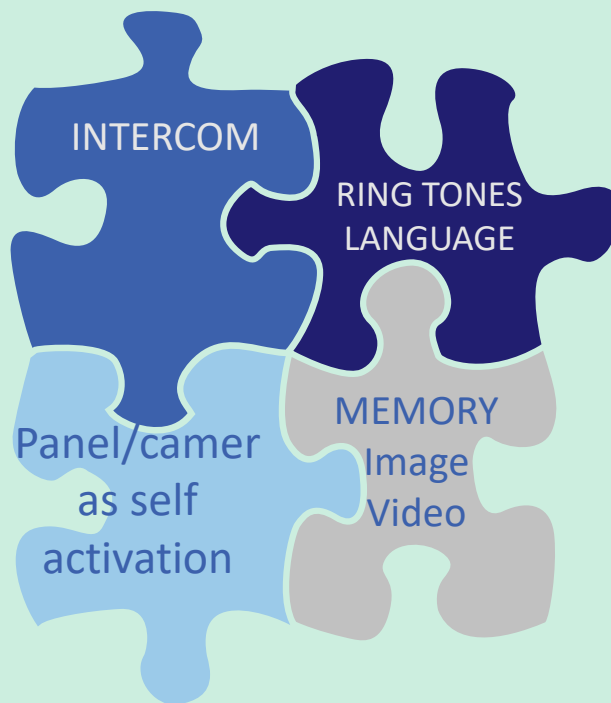
Specification

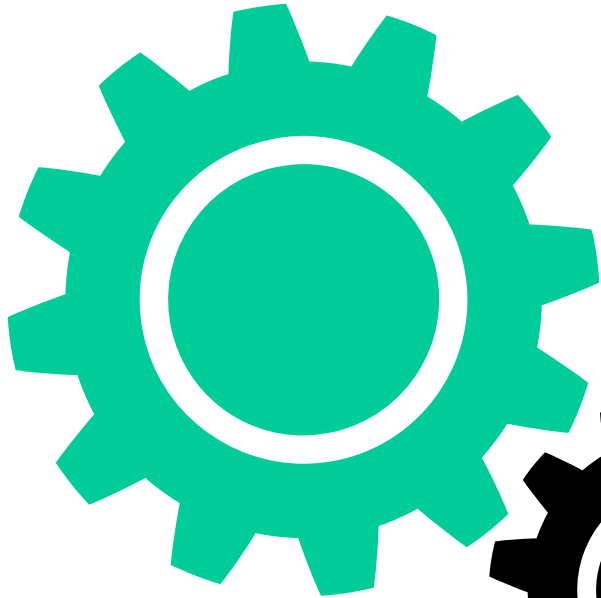


System

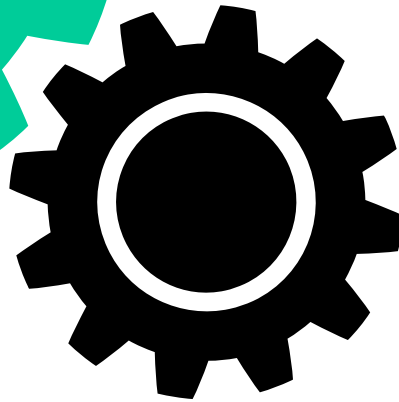
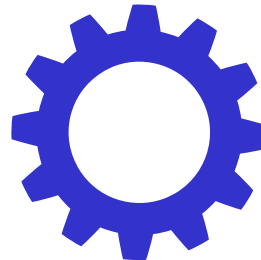


Units





Outdoor panels



Nexa Panels



Nexa inox



Nexa aluminium



JAZZ

Surface villa panel



Nexa code

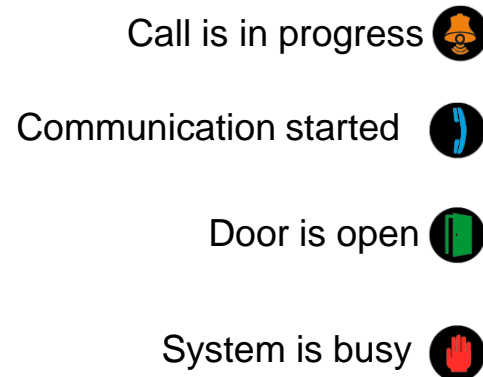


Nexa Panels



Characteristics:

- Inox and aluminium versions available, from Nexa series.
- Single or double buttons. Permanent light on name tags.
- Visual signalization of panel status for hearing aided people.
- Vocal messages in 5 different languages for people with low visión (option to upload custom messages for local languages).
- Wide angle camera (105°).
- Automatic camera leds activation in low light conditions.
- Communication and volume adjustments with no need to open the panel.



Nexa Panels – mechanical parts



NEXA Aluminium Mechanical PARTS



Embedding box



Frames



Modules



Accessories

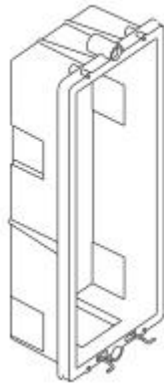


Nexa Panels – mechanical parts



Assembling

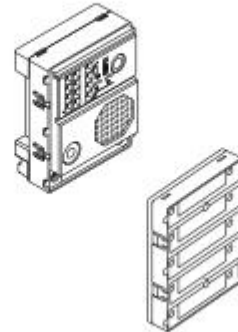
Embedding boxes



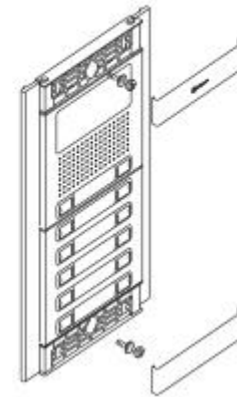
Frame modules



Electronic modules



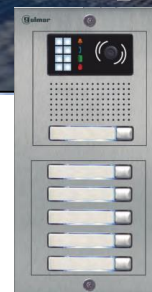
Aluminium door panel



Nexa Panels – mechanical parts



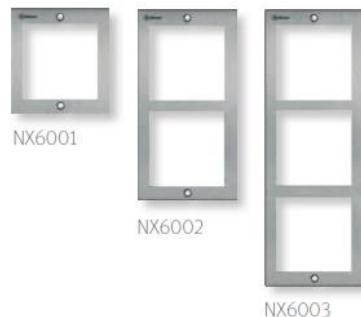
NEXA INOX Mechanical PARTS



Embedding box



Frames



Modules



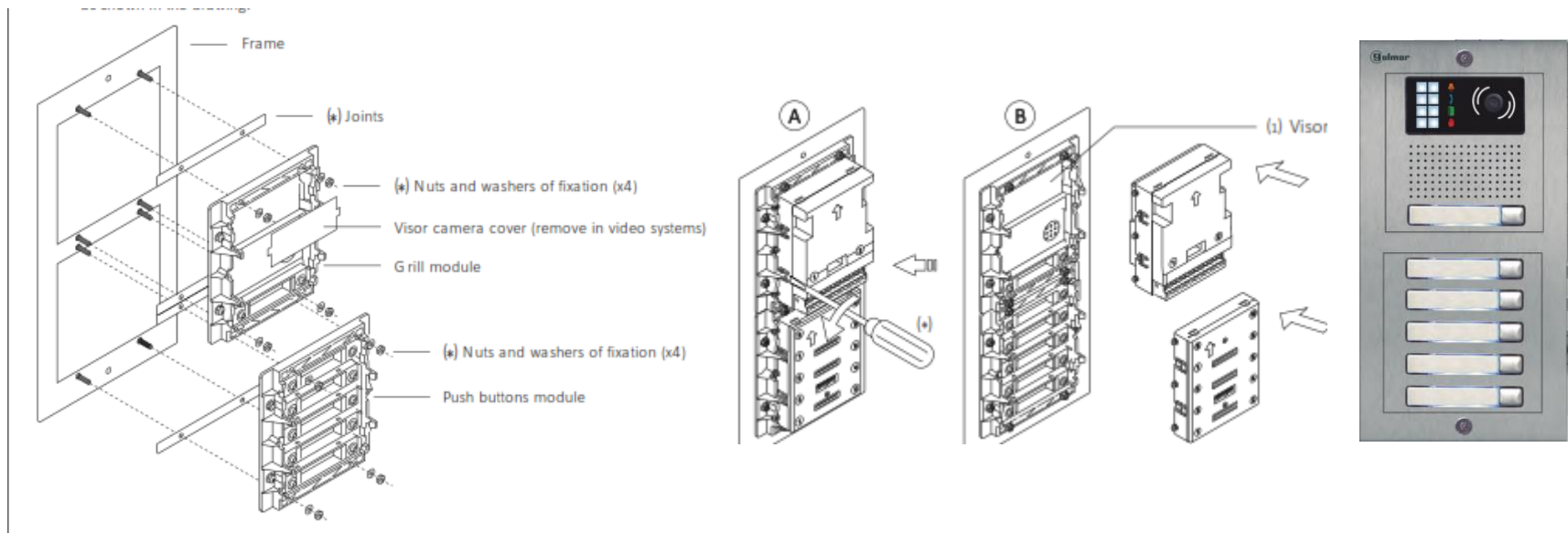
Accessories



Nexa Panels – mechanical parts

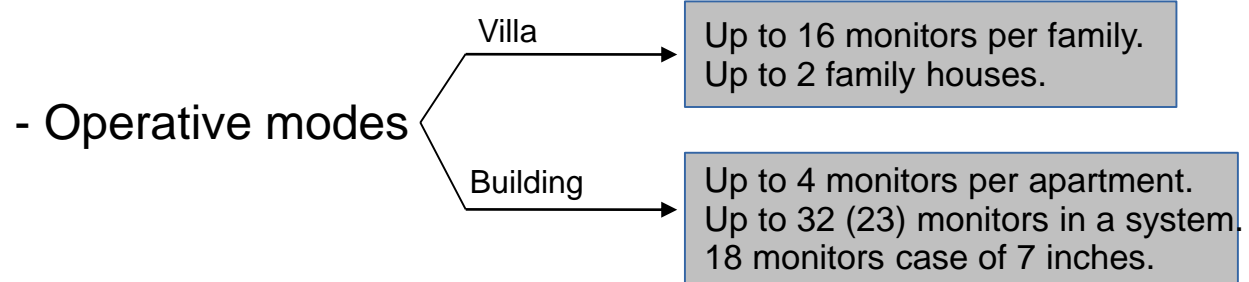


Assembling



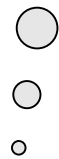
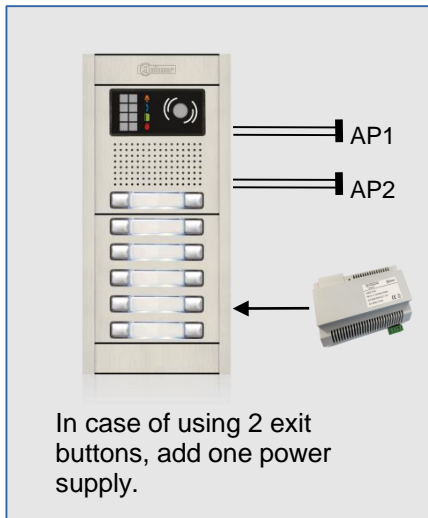


Video module – EL632/GB2



- Door panel code programming, (00-03) through dip switches
- 2 relays for door lock. 2 exit buttons input (one per relay).
- 12Vdc output to power CV-14/DC door lock.
- NO/NC relays.
- Plug to connect EL610D module, buttons extension.
- Two call buttons included in the module.
- Wide angle camera (105°).
- White Leds activated only in low light conditions.
- Vocal messages for panel status confirmation.
- Visual signalization of panel status through leds.

EL642/GB2 audio only, available!



Settings- Panels

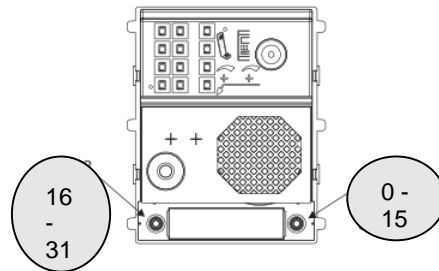


Panel EL632/GB2

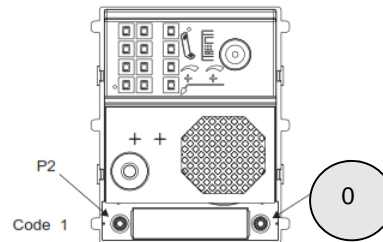


- Dip 1-2: set panel address. **00**, 01, 02, 03. binary.
- Dip 3: set double (**Off**) or single (On) button panels.
- Dip 4: Off in villas, **On** in buildings.
- Dip 5: Set door release time to 5sec (**On**) or 1 sec (Off).
- Dip 6: Set to ON to configure vocal message language and relay status, turn back to off after set.

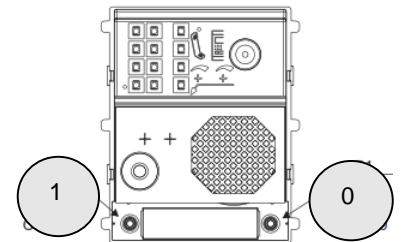
Villa mode



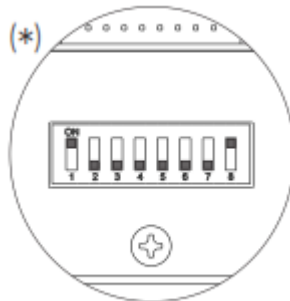
Building – single



Building - double



EL610D



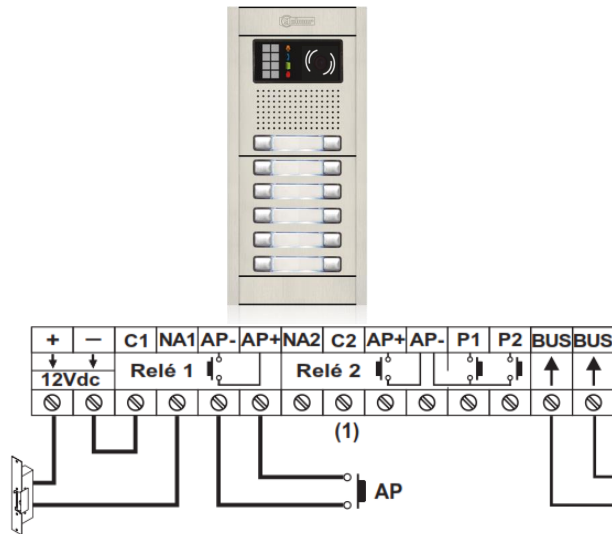
Dip 1 to 8 define the code of the button, depending on the EL632/GB2 setting (villa or building – Dip 4).



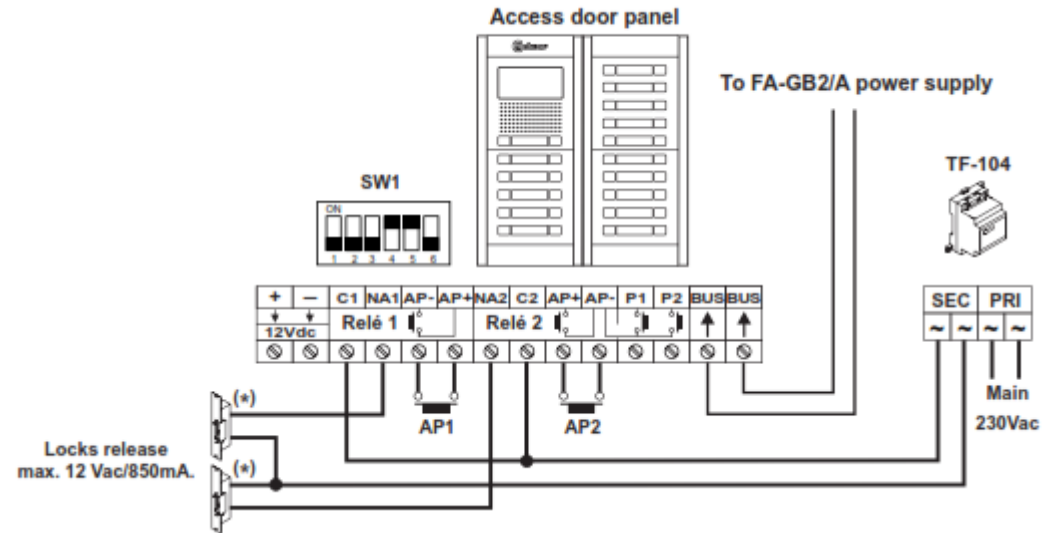
Settings- Panels



Panel connections



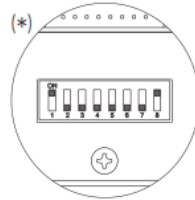
Connexion of 2 a.c locks release with "AP":



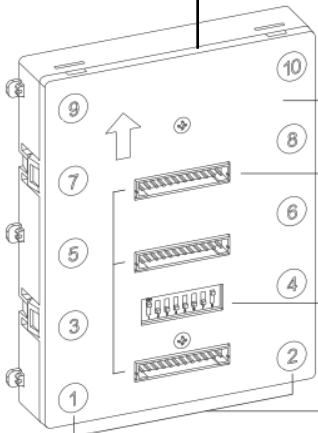
Settings- Panels



Panel EL610D



Dip 1 to 8 define the code of the button.



Back side.

Input / output push buttons connector :

Configuration dip switch
(Push buttons call code).

Push button number.

	Dip switch								Push buttons code										(1)
	Dip1	Dip2	Dip3	Dip4	Dip5	Dip6	Dip7	Dip8	P1	P2	P3	P4	P5	P6	P7	P8	P9	P10	
1	On	Off	Off	Off	Off	Off	Off	On	11	2	3	4	5	6	7	8	9	10	(*)
2	Off	On	Off	Off	Off	Off	Off	On	21	12	13	14	15	16	17	18	19	20	
3	Off	Off	On	Off	Off	Off	Off	On	31	22	23	24	25	26	27	28	29	30	

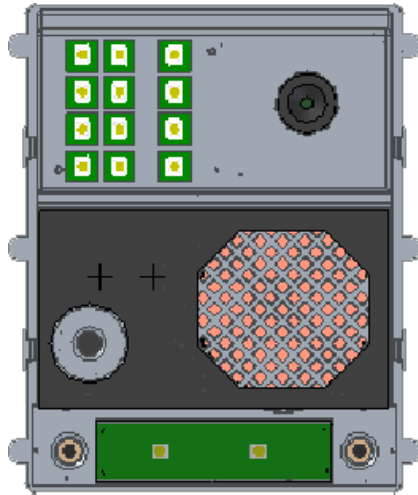
Module configuration option

Single push button module coding

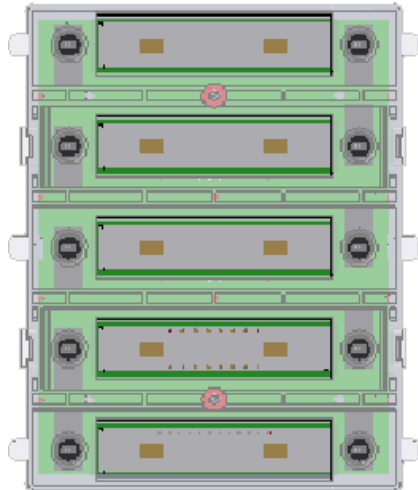
	Dip1	Dip2	Dip3	Dip4	Dip5	Dip6	Dip7	Dip8	P1	P3	P5	P7	P9	(1)
1	On	Off	Off	Off	Off	Off	Off	On	1	2	3	4	5	(*)
2	Off	On	Off	Off	Off	Off	Off	On	6	7	8	9	10	
3	Off	Off	On	Off	Off	Off	Off	On	11	12	13	14	15	
4	Off	Off	Off	On	Off	Off	Off	On	16	17	18	19	20	
5	Off	Off	Off	Off	On	Off	Off	On	21	22	23	24	25	
6	Off	Off	Off	Off	Off	On	Off	On	26	27	28	29	30	
7	Off	Off	Off	Off	Off	Off	On	On	31	-	-	-	-	



Settings- Panels



code 1



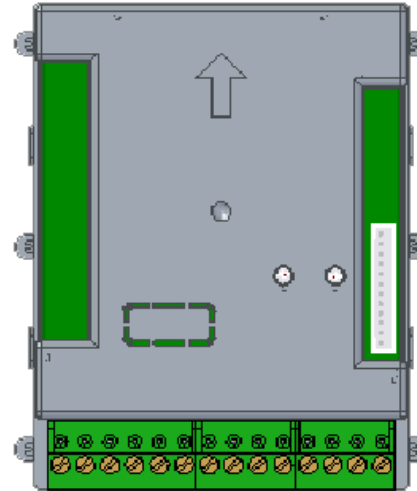
code 10

code 8

code 6

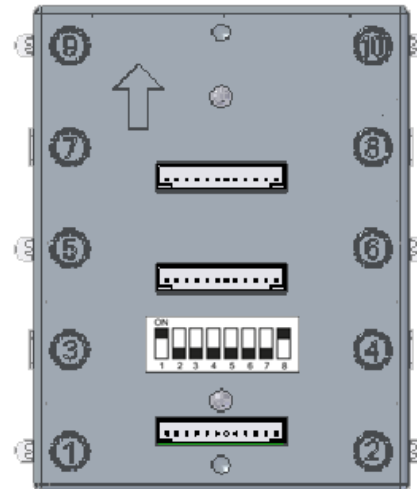
code 4

code 2



code 0

code 1



code 9

code 10

code 7

code 8

code 5

code 6

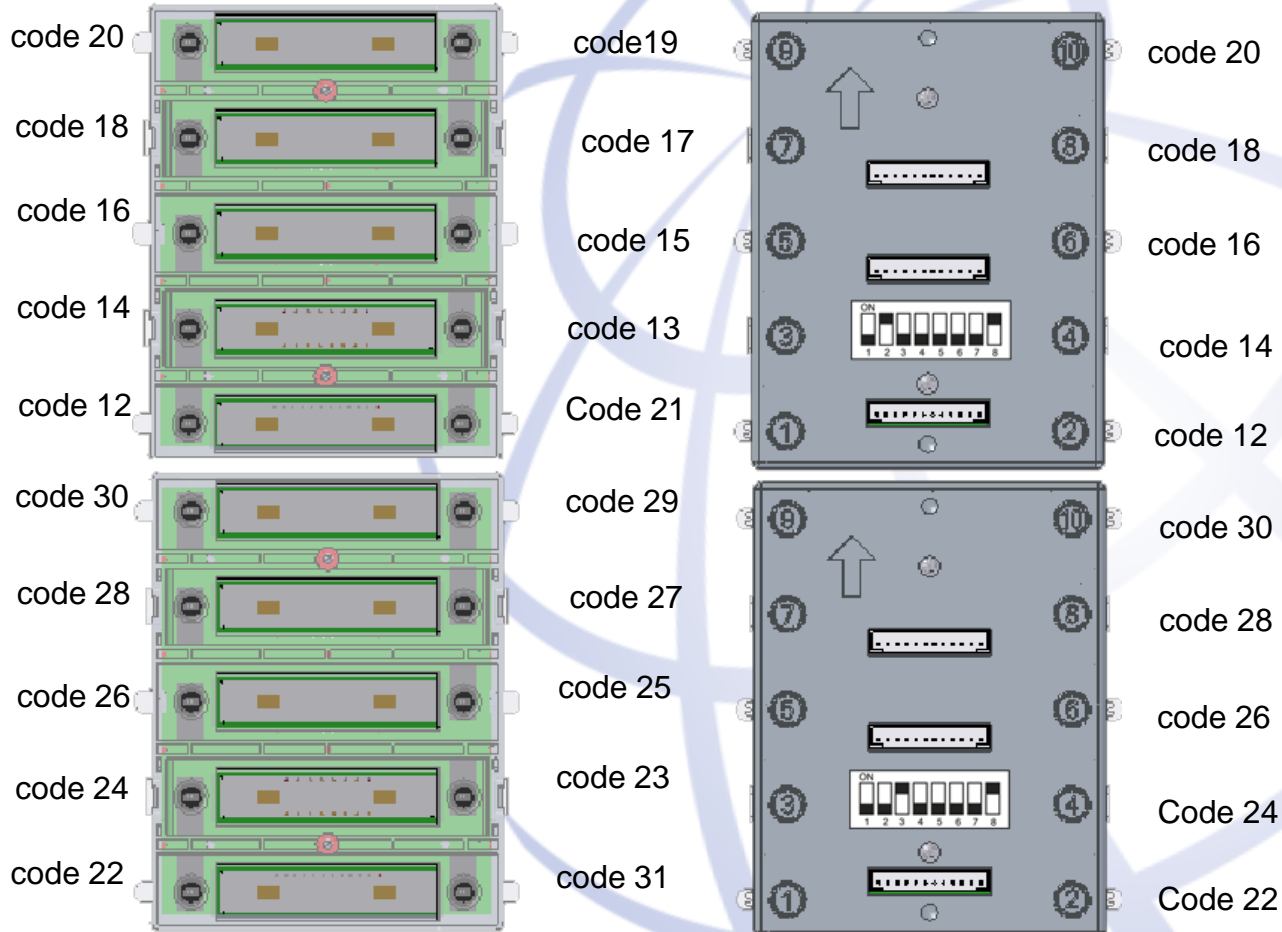
code 3

code 4

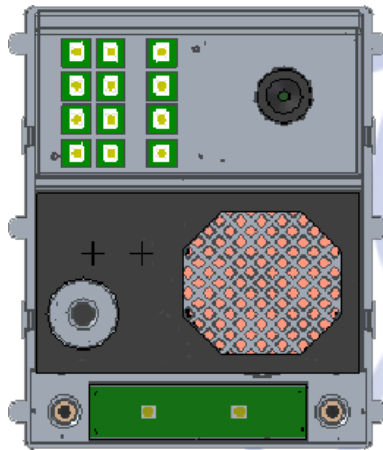
code 11

code 2

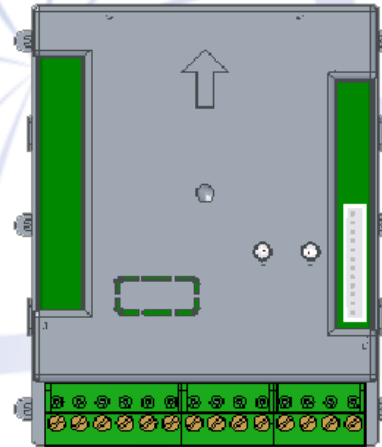
Settings- Panels



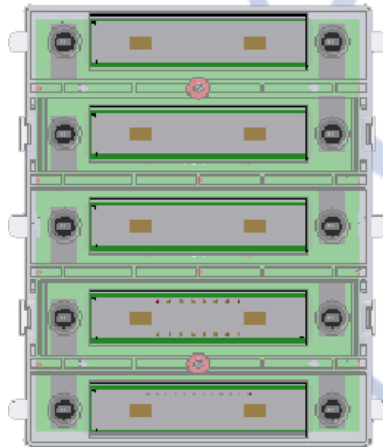
Settings- Panels



code 0



code 0



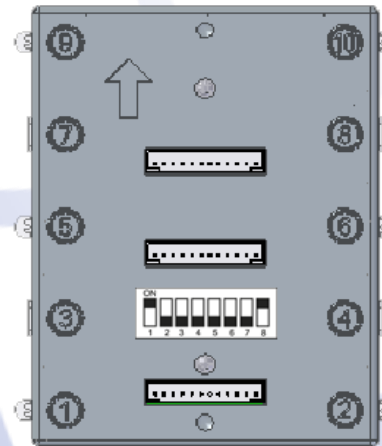
code 5

code 4

code 3

code 2

code 1



code 5

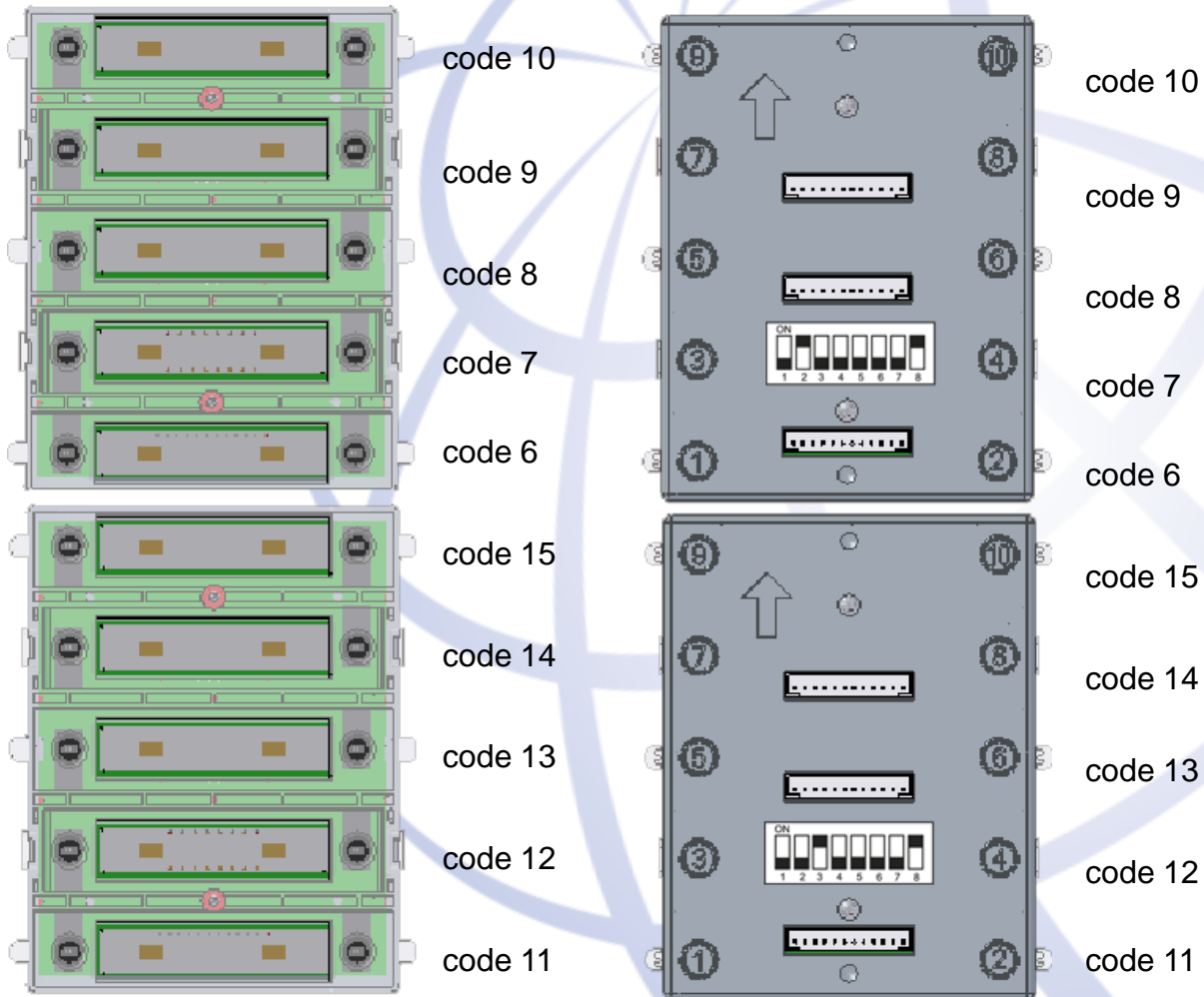
code 4

code 3

code 2

code 1

Settings- Panels



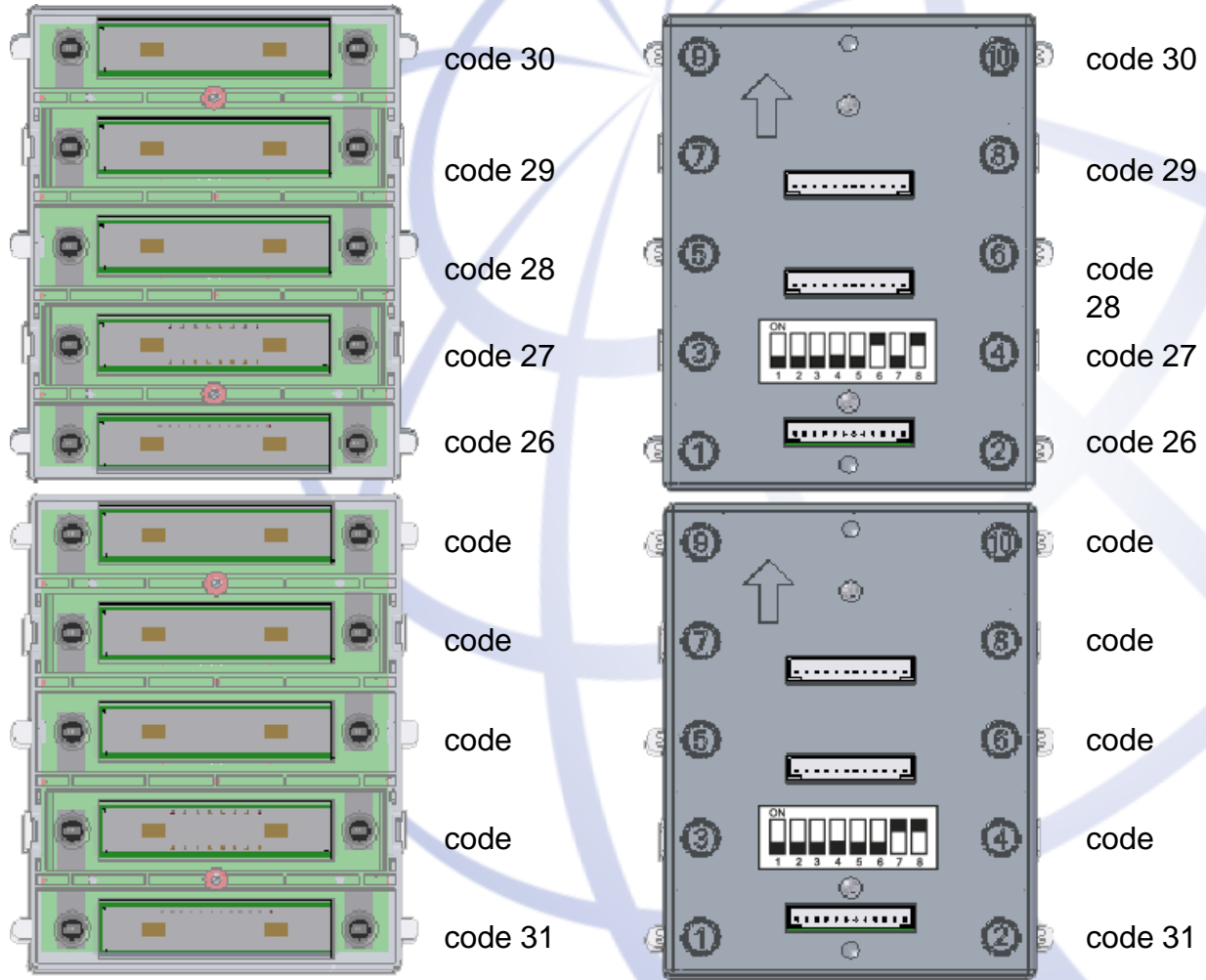
Settings- Panels



Configuración

Settings-Panels

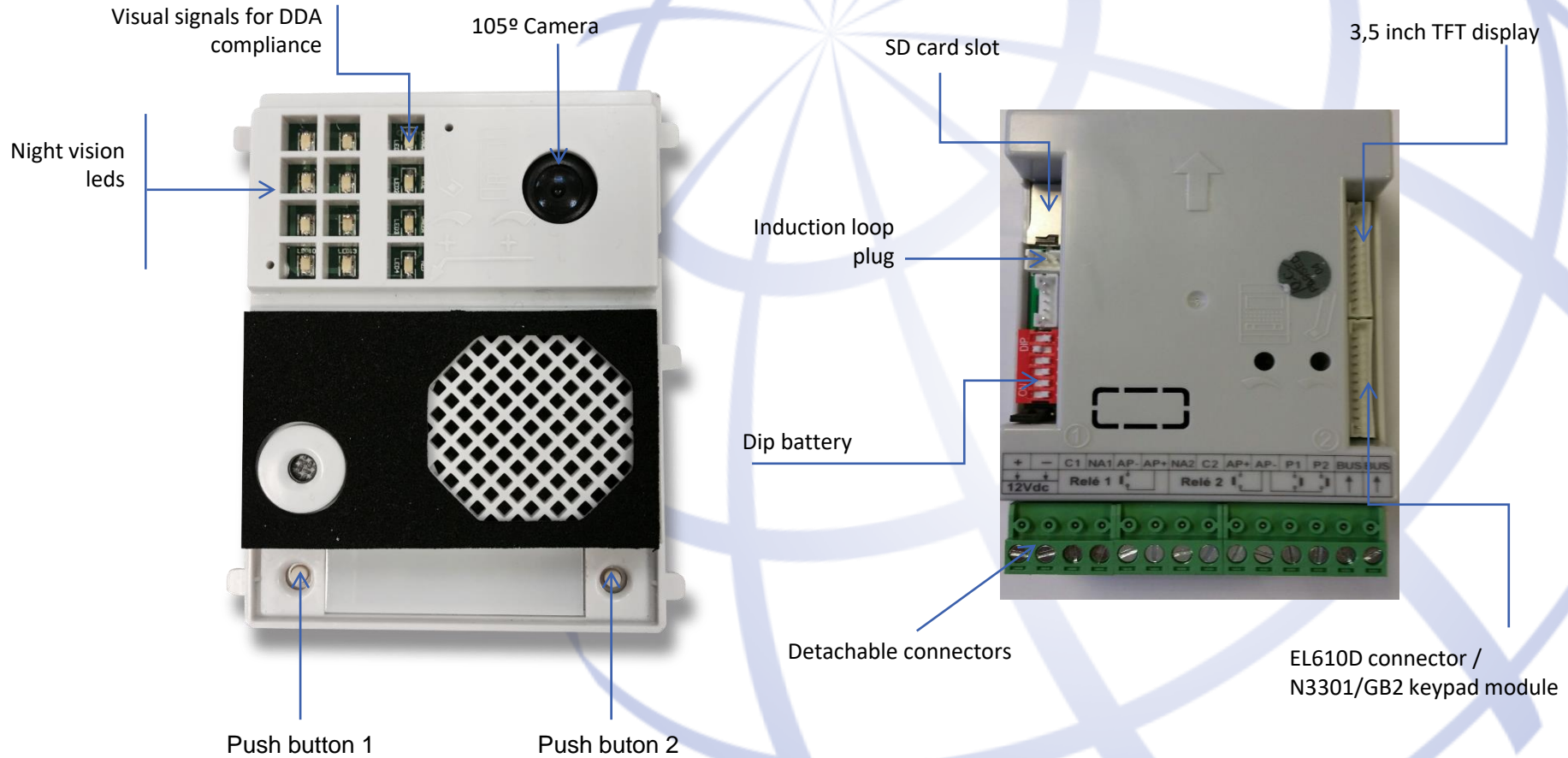
Direcciones módulos EL610D pulsadores individual



Video module – EL632/GB2A



NEW

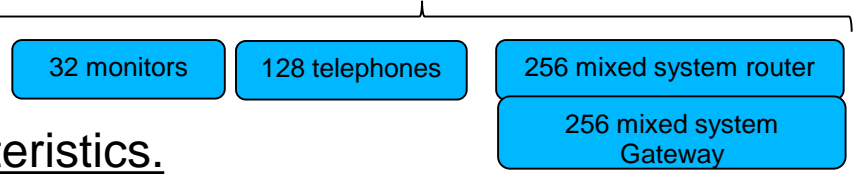
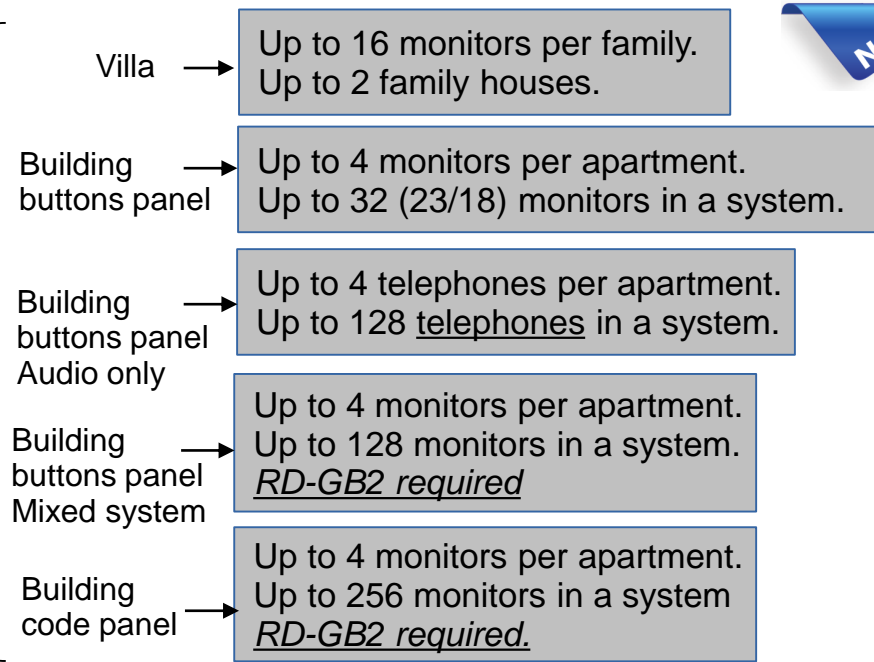




Video module – EL632/GB2A



- Operative modes



Additional characteristics.

- Connector for LCD display module.
- Connector for N3301/GB2 keypad module.
- Connector for inductive loop module for DDA compliance.



AP1

AP2

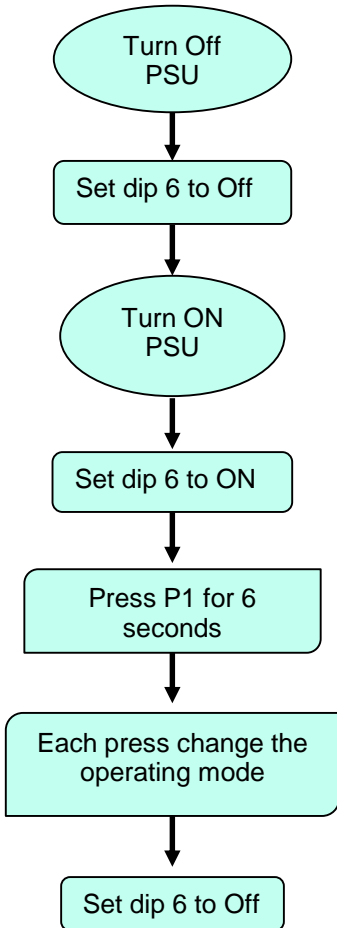
In case of using 2 exit buttons, add one power supply.

Video module – EL632/GB2A



NEW

Procedure to change mode



Dip 4	Mode	Mode number	Operating mode	Leds
OFF	Villa	1	P,1 P2	
ON	Building	1	Buttons – 32 units Audio and video	
ON	Building	2	Buttons , 128 telephones, Audio only.	
ON	Building	3	Buttons, 128 units. Audio and video RD-GB2-required	
ON	Building	4	Buttons, general panel	
ON	Building	5	Code panel – 32 units Audio and video	
ON	Building	6	Code panel , 128 telephones, Audio only.	
ON	Building	7	Code panel, 128 units. Audio and video RD-GB2-required	
ON	Building	8	Code panel, general panel	

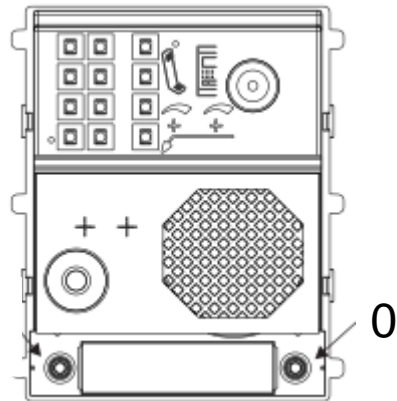


Settings- Panels

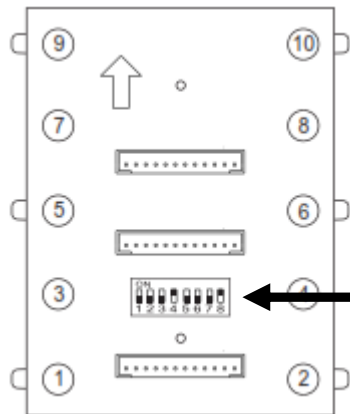


Panel EL610D – Single button

Buttons codes



0



EL610D dip switch configuration

	Microinterruptor								Código de pulsadores					(1)
	Dip1	Dip2	Dip3	Dip4	Dip5	Dip6	Dip7	Dip8	P1	P3	P5	P7	P9	
1	On	Off	Off	Off	Off	Off	Off	On	1	2	3	4	5	(*)
2	Off	On	Off	Off	Off	Off	Off	On	6	7	8	9	10	
3	Off	Off	On	Off	Off	Off	Off	On	11	12	13	14	15	
4	Off	Off	Off	On	Off	Off	Off	On	16	17	18	19	20	
5	Off	Off	Off	Off	On	Off	Off	On	21	22	23	24	25	
6	Off	Off	Off	Off	Off	On	Off	On	26	27	28	29	30	
7	Off	Off	Off	Off	Off	Off	On	On	31	32	33	34	35	
8	On	Off	Off	Off	Off	Off	Off	Off	36	37	38	39	40	
9	Off	On	Off	Off	Off	Off	Off	Off	41	42	43	44	45	
10	Off	Off	On	Off	Off	Off	Off	Off	46	47	48	49	50	
11	Off	Off	Off	On	Off	Off	Off	Off	51	52	53	54	55	
12	Off	Off	Off	Off	On	Off	Off	Off	56	57	58	59	60	
13	Off	Off	Off	Off	Off	On	Off	Off	61	62	63	64	65	
14	Off	Off	Off	Off	Off	Off	On	Off	66	67	68	69	70	

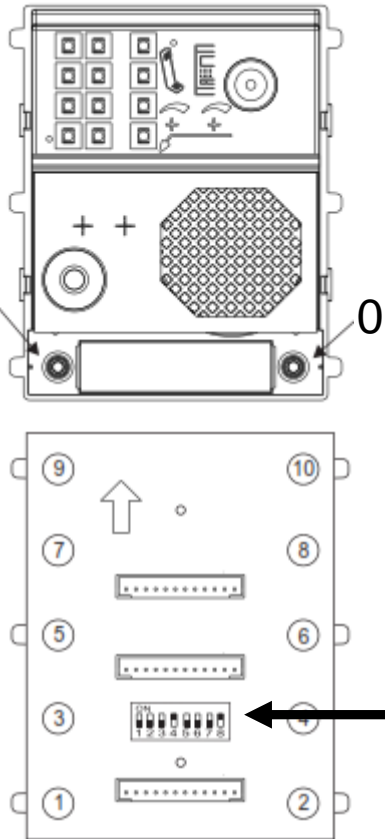


Settings- Panels



Panel EL610D – double button

Buttons codes



EL610D dip switch configuration

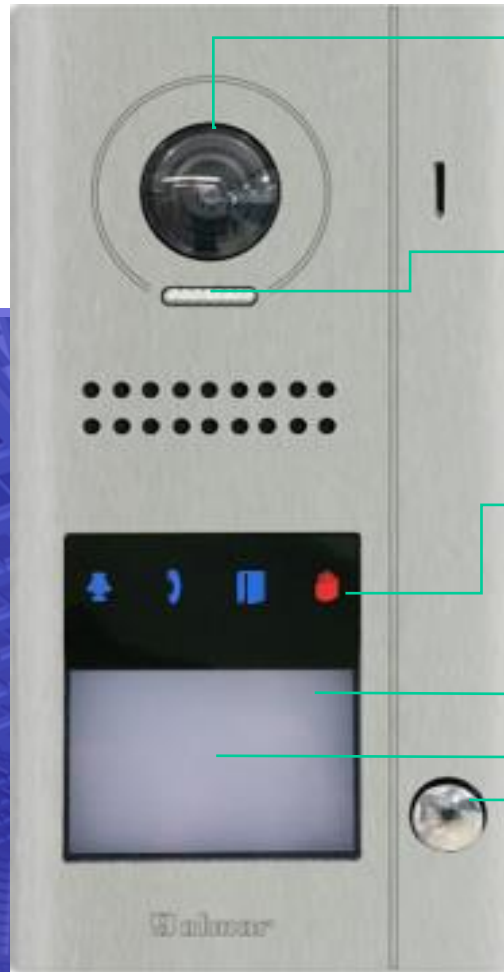
		Microinterruptor								Código de pulsadores									
		Dip1	Dip2	Dip3	Dip4	Dip5	Dip6	Dip7	Dip8	P1	P2	P3	P4	P5	P6	P7	P8	P9	P10
Opción de configuración módulo	1	On	Off	Off	Off	Off	Off	Off	On	11	2	3	4	5	6	7	8	9	10
	2	Off	On	Off	Off	Off	Off	Off	On	21	12	13	14	15	16	17	18	19	20
	3	Off	Off	On	Off	Off	Off	Off	On	31	22	23	24	25	26	27	28	29	30
	4	Off	Off	Off	On	Off	Off	Off	On	41	32	33	34	35	36	37	38	39	40
	5	Off	Off	Off	Off	On	Off	Off	On	51	42	43	44	45	46	47	48	49	50
	6	Off	Off	Off	Off	Off	On	Off	On	61	52	53	54	55	56	57	58	59	60
	7	Off	Off	Off	Off	Off	Off	On	On	71	62	63	64	65	66	67	68	69	70
	8	On	Off	Off	Off	Off	Off	Off	Off	81	72	73	74	75	76	77	78	79	80
	9	Off	On	Off	Off	Off	Off	Off	Off	91	82	83	84	85	86	87	88	89	90
	10	Off	Off	On	Off	Off	Off	Off	Off	101	92	93	94	95	96	97	98	99	100
	11	Off	Off	Off	On	Off	Off	Off	Off	111	102	103	104	105	106	107	108	109	110
	12	Off	Off	Off	Off	On	Off	Off	Off	121	112	113	114	115	116	117	118	119	120
	13	Off	Off	Off	Off	Off	On	Off	Off	-	122	123	124	125	126	127	-	-	-



Jazz entry panel



NEW



Wide angle camera 170° FISH-EYE

White leds, automatic activation.

Metal rainshield

Function Leds

Backlit card holder

Proximity Access control

Metal button (1 or 2 buttons panel)

Dimensions : 90(An) x 185(AI) x 24(P) mm

Video module – EL632/GB2A

Nexa code panel



NEW

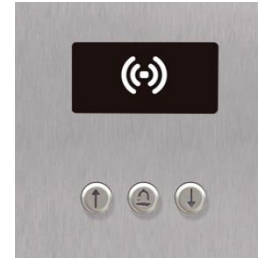
Keypad



Display



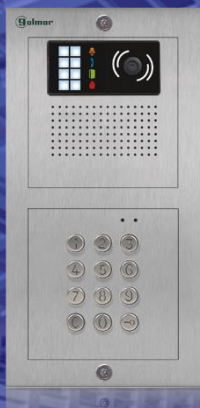
Proxy module



Induction loop



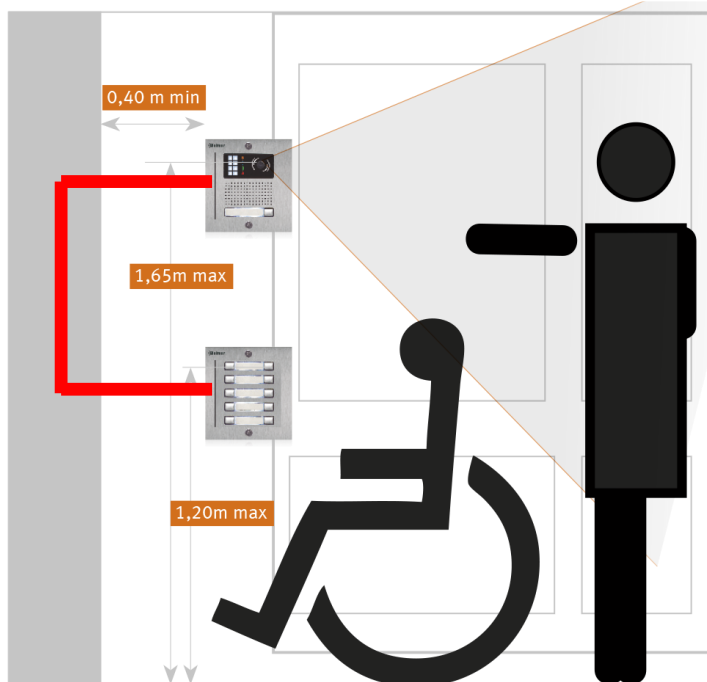
Possible combinations



Video module – EL632/GB2A DDA compliance



- It exists a long cable to link the video module and the buttons module.



Distances 1

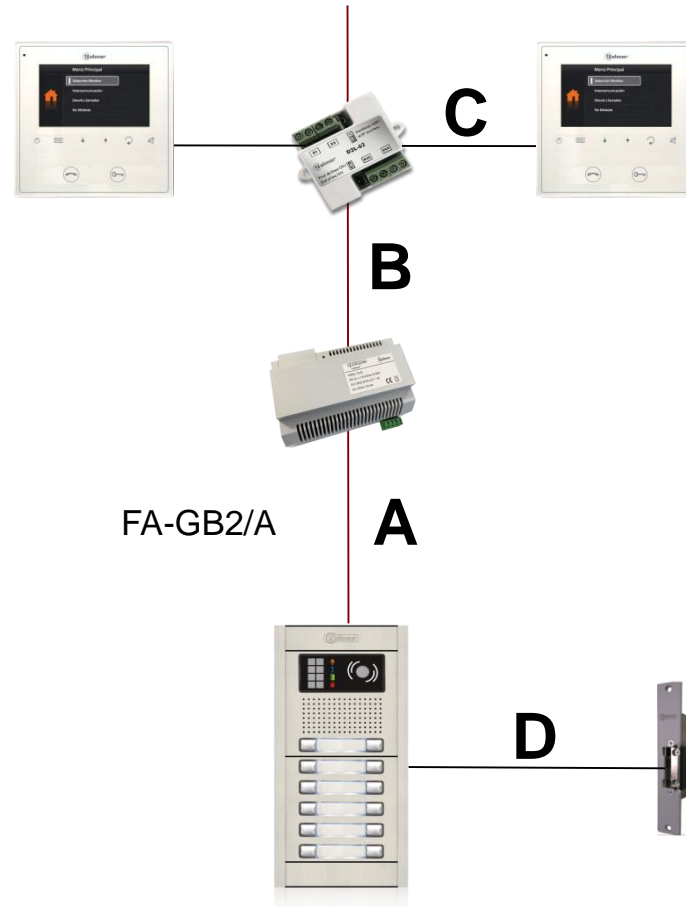


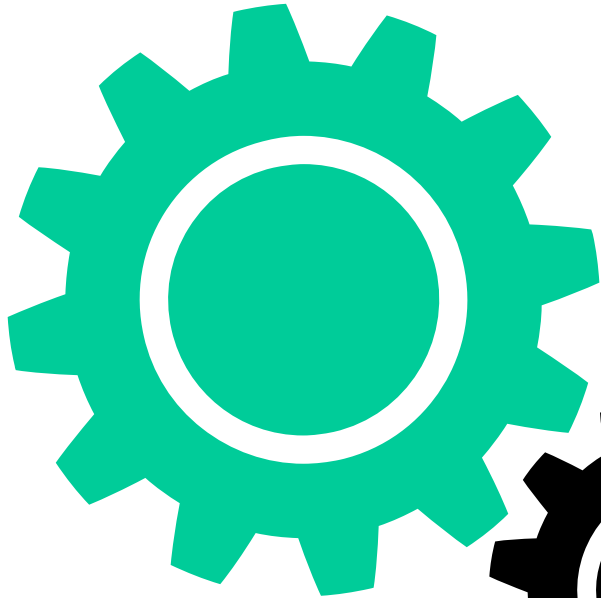
GB2 can reach 200 meters from the entry panel up to the latest monitor considering a point to point distance measurement.

Max. distances.

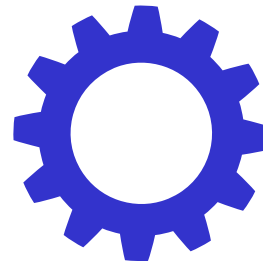
Cable	A	B	C	D
Twisted 2x0.75mm ²	60m	60m	30m	10m
Twisted 2x1mm ²	80m	80m	40m	15m

Use RAP-2150 2 wires cable from Golmar to assure the best performance and to reach the maximum distaces.





Digital repeater



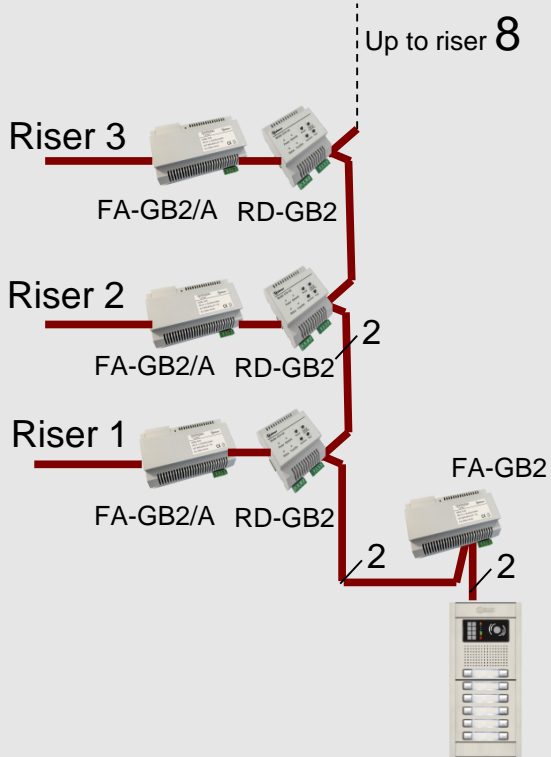
Digital Repeater



RD-GB2

- Repeater mode. Allow to extend cable length twice.
- Router mode. Allows up to 8 risers.

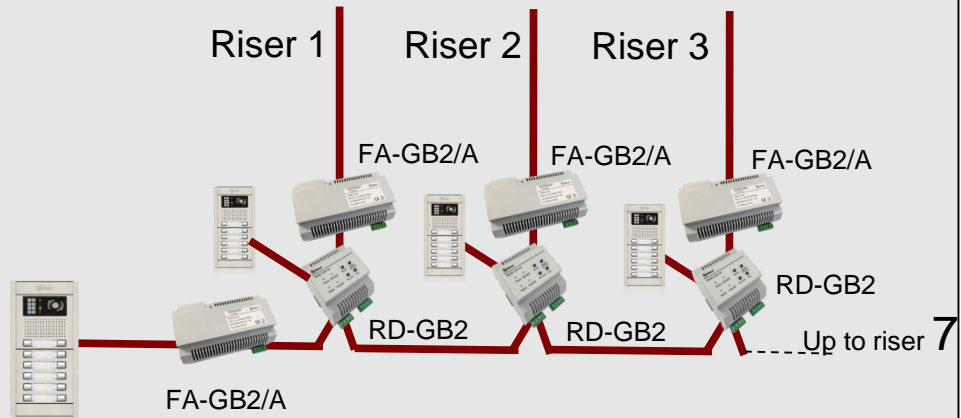
Router



Repeater



Repeater

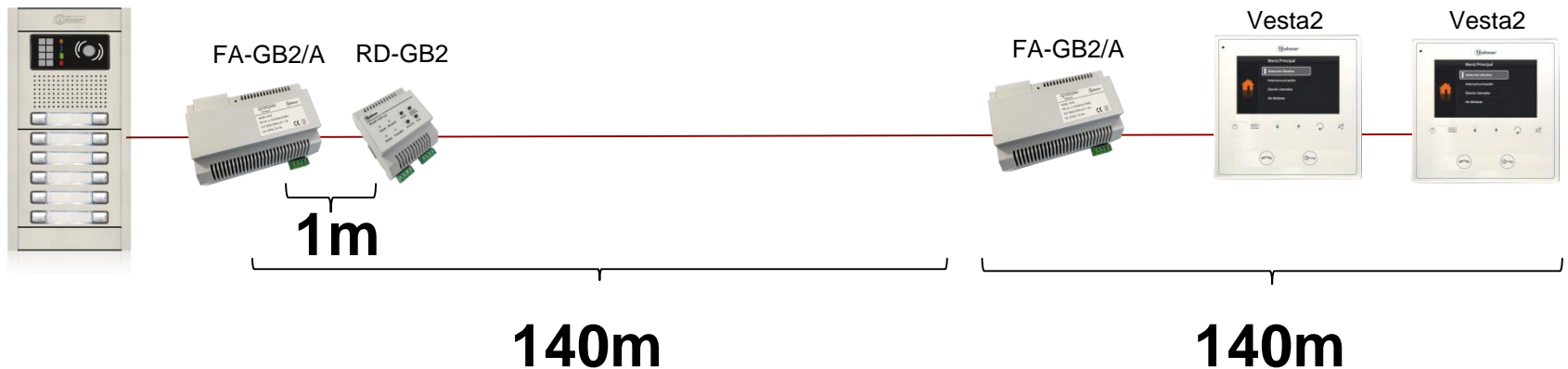


Digital Repeater

Repeater

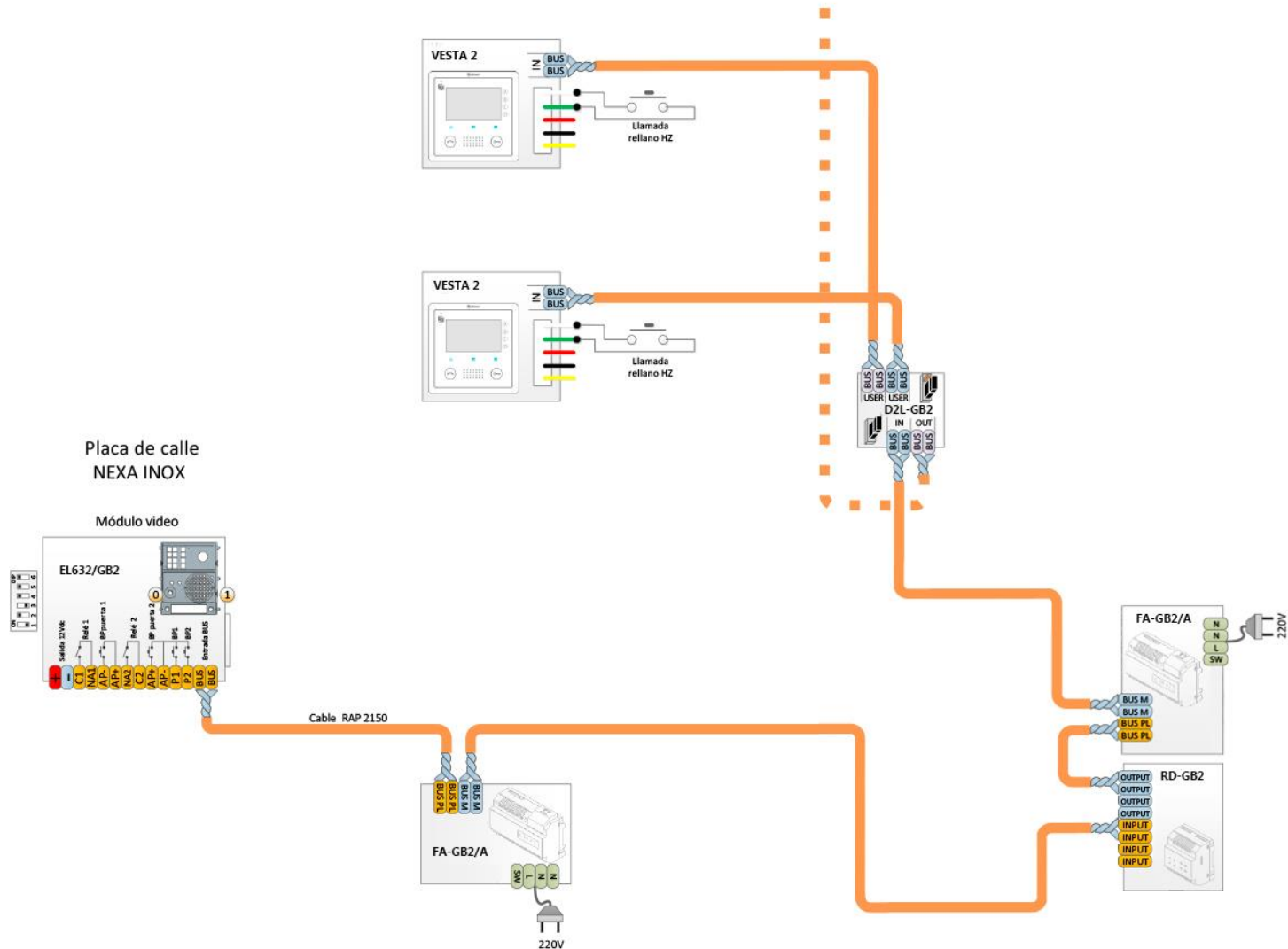


When using a digital repeater RD-GB2, it can be reached up to 280 meters to the last monitor.
Monitors placed always after the Digital Repeater***.



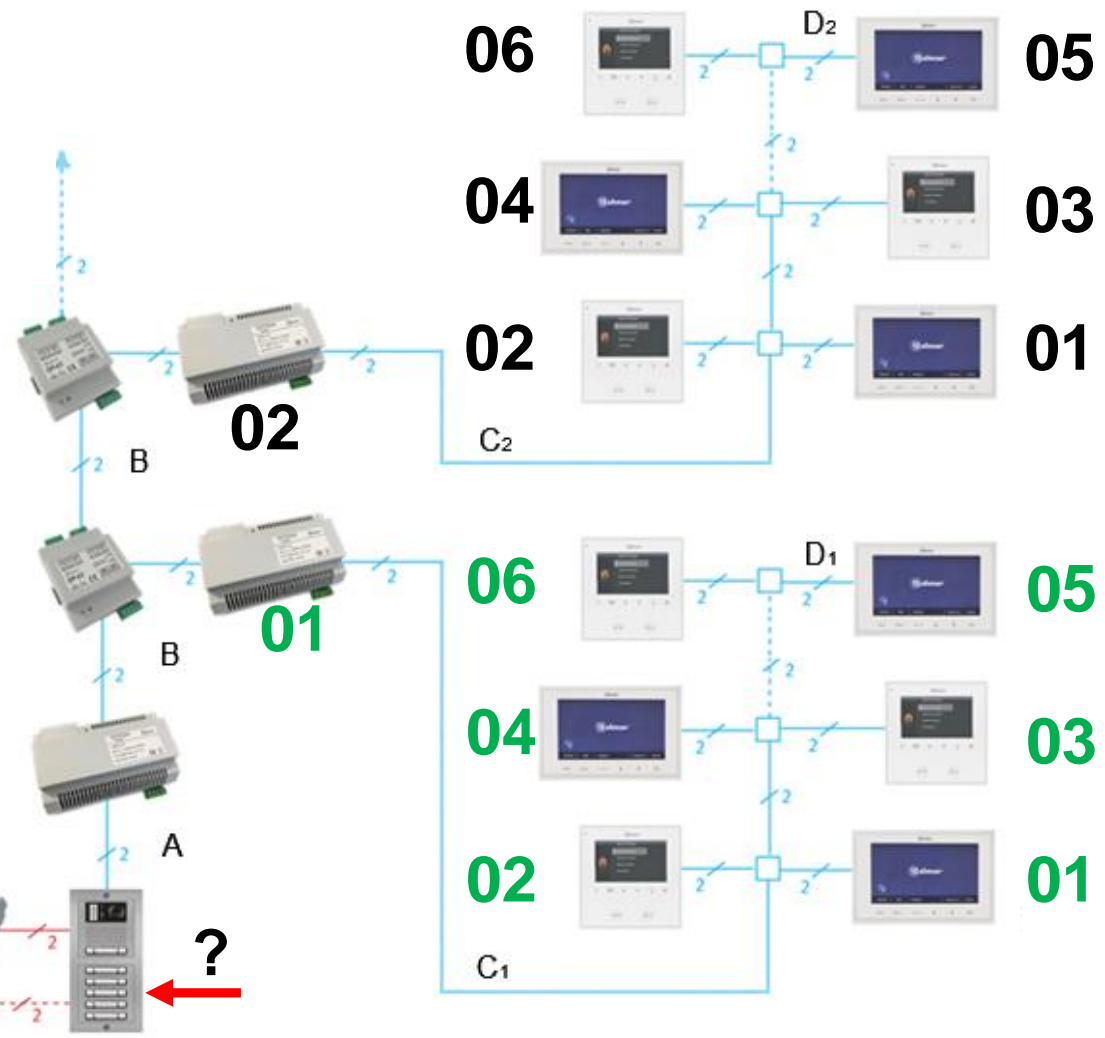
Digital Repeater

Repeater



Digital Repeater

Router



Secciones RAP-2150

2 x 1,00mm²

2 x 1,00mm²

Distancias máximas:

$\Sigma A = 80 \text{ m}$

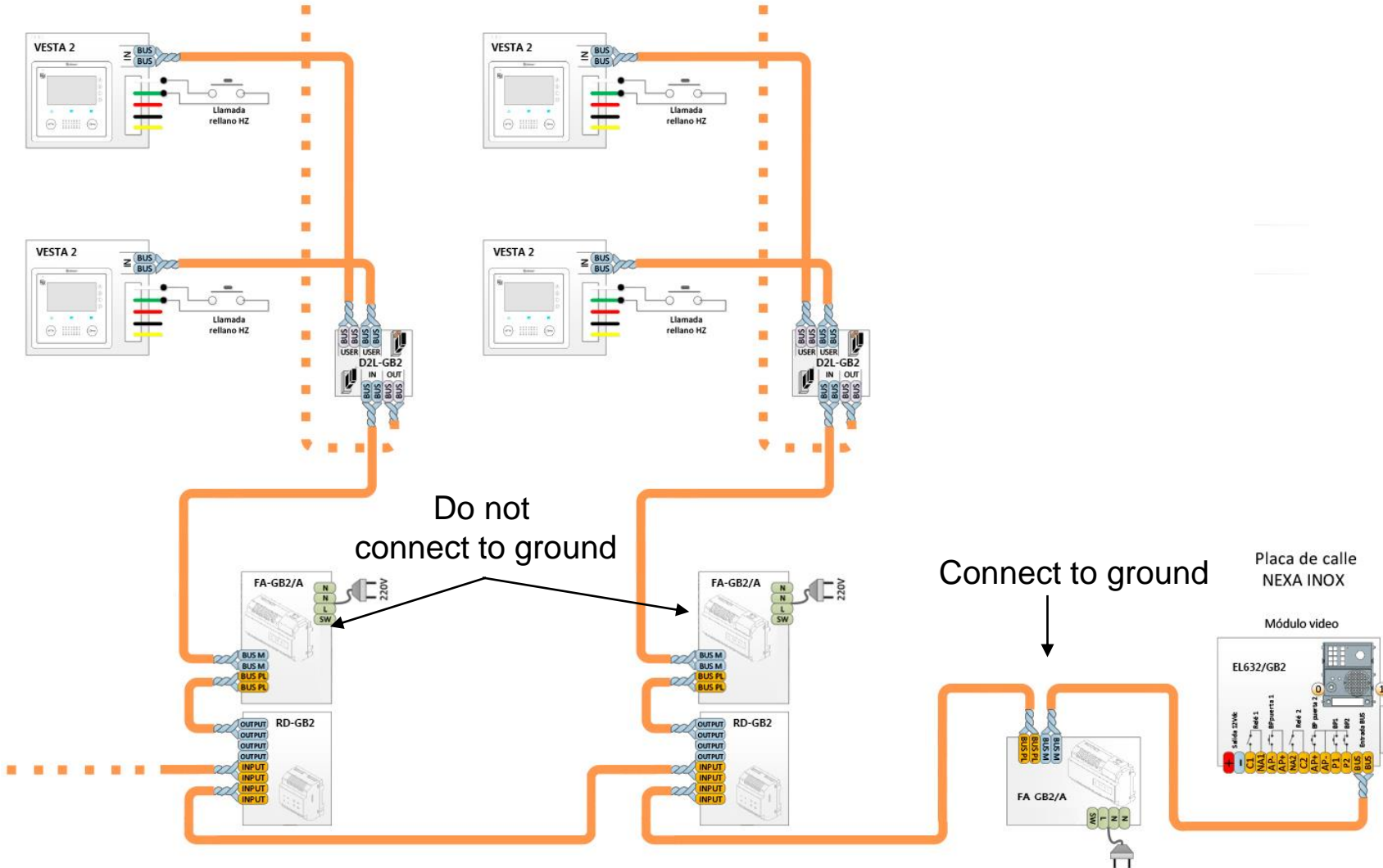
$\Sigma B = 80 \text{ m}$

$\Sigma C_1 = 80 \text{ m}, \Sigma C_2 = 80 \text{ m} \dots \Sigma C_8 = 80 \text{ m}$

$\Sigma D_1 = 40 \text{ m}, \Sigma D_2 = 40 \text{ m} \dots \Sigma D_8 = 40 \text{ m}$

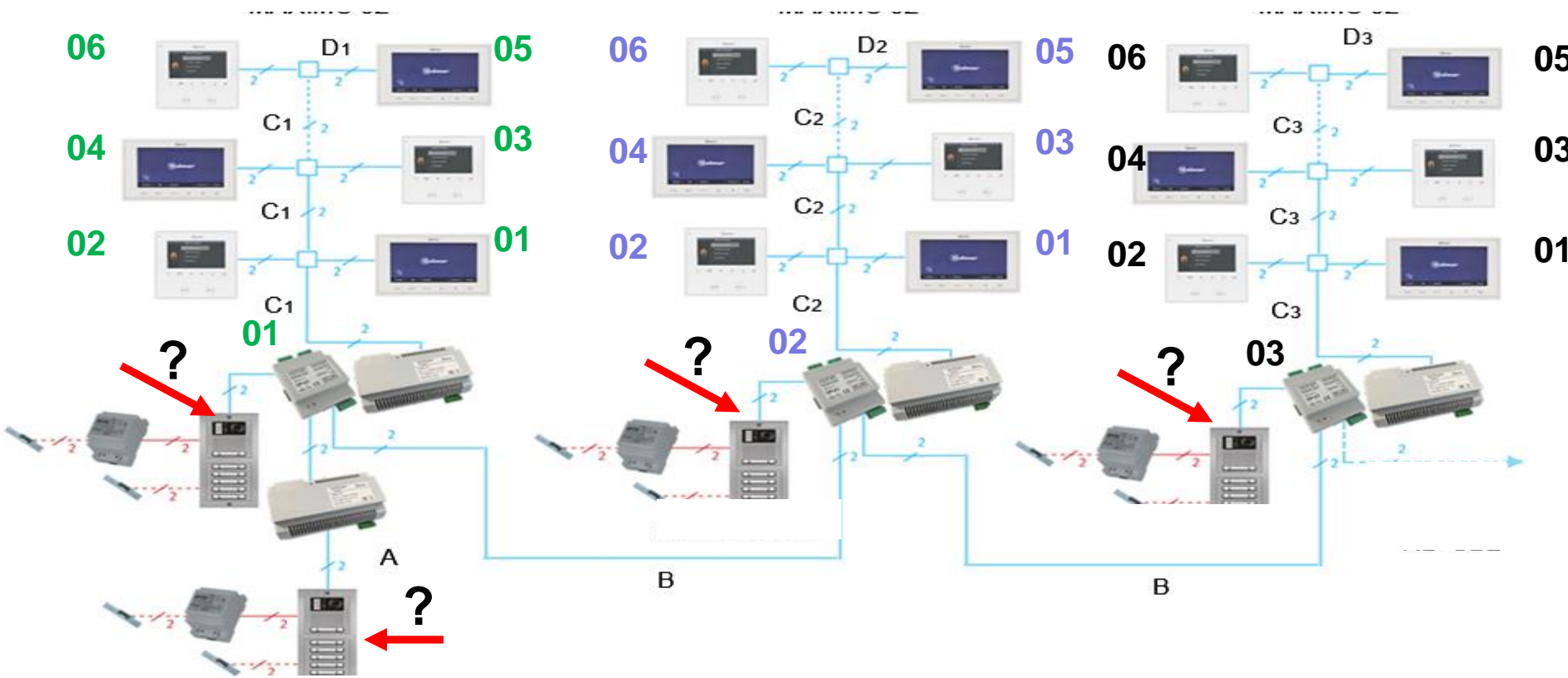
Digital Repeater

Router



Digital Repeater Gateway

Gateway



Secciones RAP-2150

- 2 x 1,00mm² (red)
- 2 x 1,00mm² (blue)

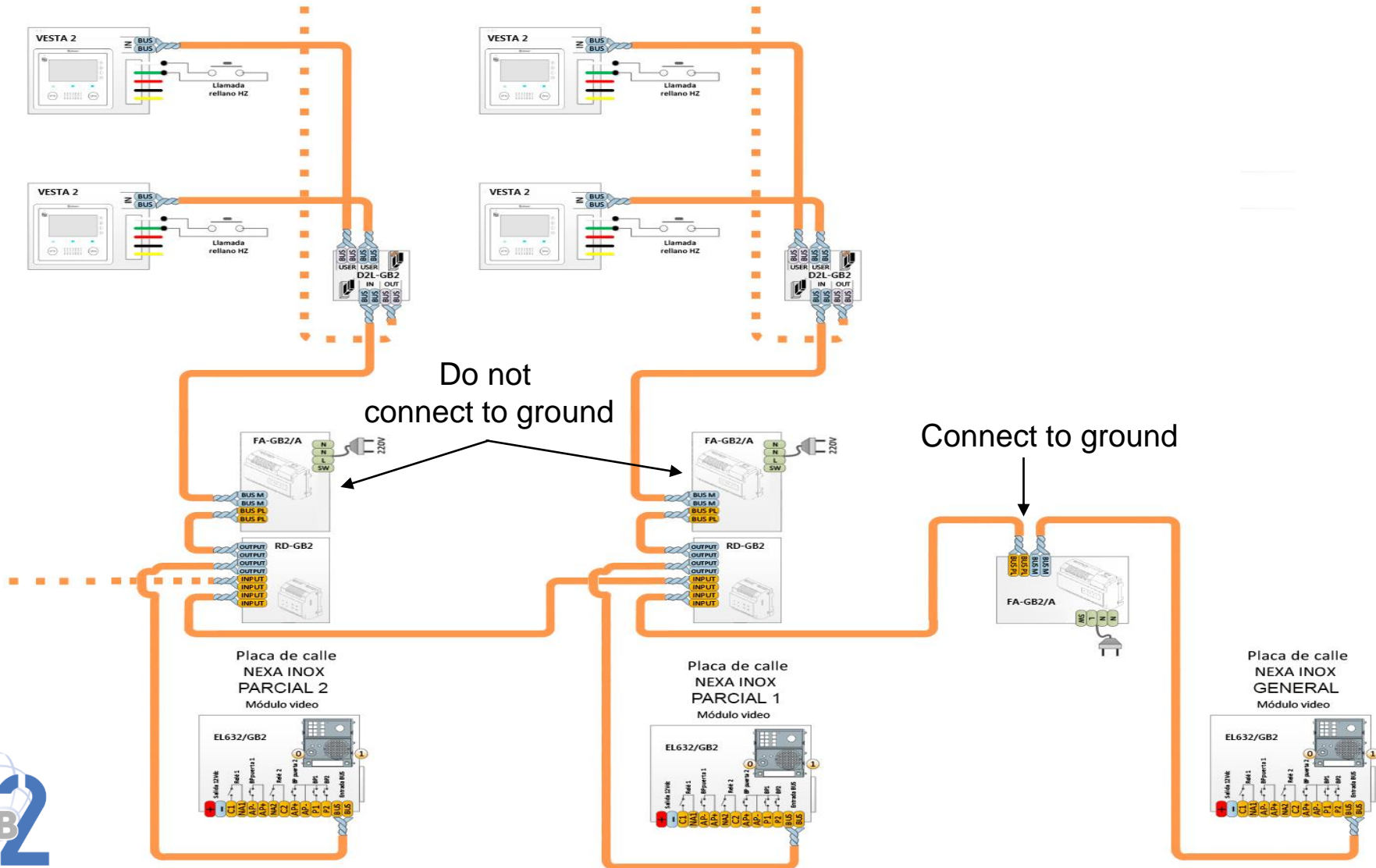
Distancias máximas:

$$\begin{aligned} \Sigma A &= 80 \text{ m} \\ \Sigma B &= 80 \text{ m} \\ \Sigma C_1 &= 80 \text{ m}, \Sigma C_2 = 80 \text{ m} \dots \Sigma C_7 = 80 \text{ m} \\ \Sigma D_1 &= 40 \text{ m}, \Sigma D_2 = 40 \text{ m} \dots \Sigma D_7 = 40 \text{ m} \end{aligned}$$



Digital Repeater Gateway

Gateway



Digital Repeater

Software



Address Manager GB2 - Version 0.2

File Edit

Nuevo Guardar Cancelar Eliminar Actualizar << < Listar > >>

Instalación de varias placas

C/Silici 13

Cornellà del Llobregat Barcelona España


Nº Cliente Nombre Cliente Referencia

Notas

Nuevo

Nombre	Dirección	Número	Edificio	Escalera	Piso	Puerta	Nº Serie	Notas
Placa general	C/Silici	13						
Placa teléfonos	C/Silici	13					161201123456	
Placa standard sí...	C/Silici	13					16120123456	
Placa edificio > 32...	C/Silici	13					161201123456	
Placa a tope	C/Silici	13					161201123456	
Placa codificada	C/Silici	13					161201123456	
Placa codificada e...	C/Silici	13					161201123456	
Placa general codi...	C/Silici	13					161201123456	
Placa telefonos co...	C/Silici	13					161201123456	
Placa router	C/Silici	13					161201123456	

Golmar Sistemas de Comunicación S.A. - 2017



Digital Repeater

Software



Placa

Eliminar Actualizar Imprimir placa Exportar pulsadores Exportar


Placa a tope

C/Silici 13

Edificio Escaler Piso Puerta 161201123456

Placa edificio > 32 term. Pulsadores simples
 Placa edificio Pulsadores dobles
 Placa general Placa codificada
 Placa teléfonos

Notas



Módulo

Módulo: EL610D N°: 14

10	RD-GB2: 5 Terminal: 12	RD-GB2: 5 Terminal: 11	9
8	RD-GB2: 5 Terminal: 10	RD-GB2: 5 Terminal: 9	7
6	RD-GB2: 5 Terminal: 8	RD-GB2: 5 Terminal: 7	5
4	RD-GB2: 5 Terminal: 6	RD-GB2: 5 Terminal: 5	3
2	RD-GB2: 5 Terminal: 4	RD-GB2: 5 Terminal: 13	1

Digital Repeater

Software



Placa

Eliminar Actualizar Imprimir placa Exportar pulsadores Exportar

Placa a tope

C/Silici

Edificio Escaler Piso Puerta 1612011

Placa edificio > 32 term. Pulsadores simples
 Placa edificio Pulsadores dobles
 Placa general Placa codificada
 Placa teléfonos

Terminal

Registro: 136

Descripción:

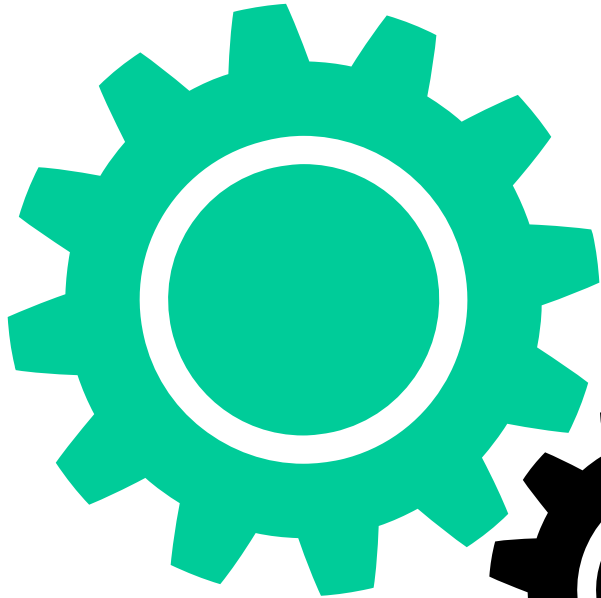
RD-GB2: 5

Terminal: 8

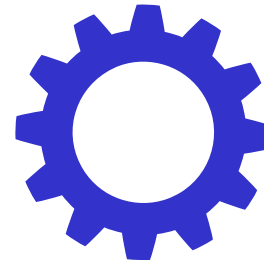
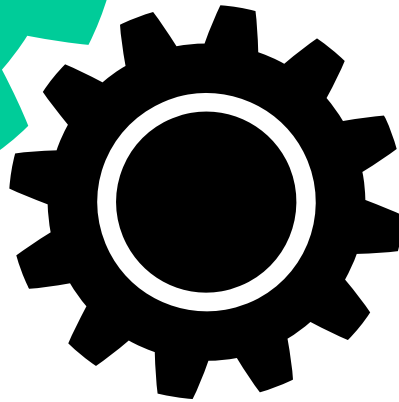
Reset Aceptar Cancelar

Módulo FL610D Nº: 14

10	RD-GB2: 5 Terminal: 12	RD-GB2: 5 Terminal: 11	9
8	RD-GB2: 5 Terminal: 10	RD-GB2: 5 Terminal: 9	7
6	RD-GB2: 5 Terminal: 8	RD-GB2: 5 Terminal: 7	5
4	RD-GB2: 5 Terminal: 6	RD-GB2: 5 Terminal: 5	3
2	RD-GB2: 5 Terminal: 4	RD-GB2: 5 Terminal: 13	1



Indoor units



Indoor units

range



Nhea



Vesta 2

4,3"



Vesta 7

7"



T-562



Thera

7"



Pentha

7"





T-562 Audio handset



T-562



Door open.

Intercom

Staircase light.

Melody selection.

Call volume adjustment.

- Privacy on conversations.
- Easy programming through dip switches.
- Detachable connectors, easy installation.
- Sound repeater output - SA.
- Door bell - HZ
- Doctor mode.
- Up to 4 units per apartment.

86 (W) 220 (H) 56 (D) mm

Up to 128
apartments
in one
system

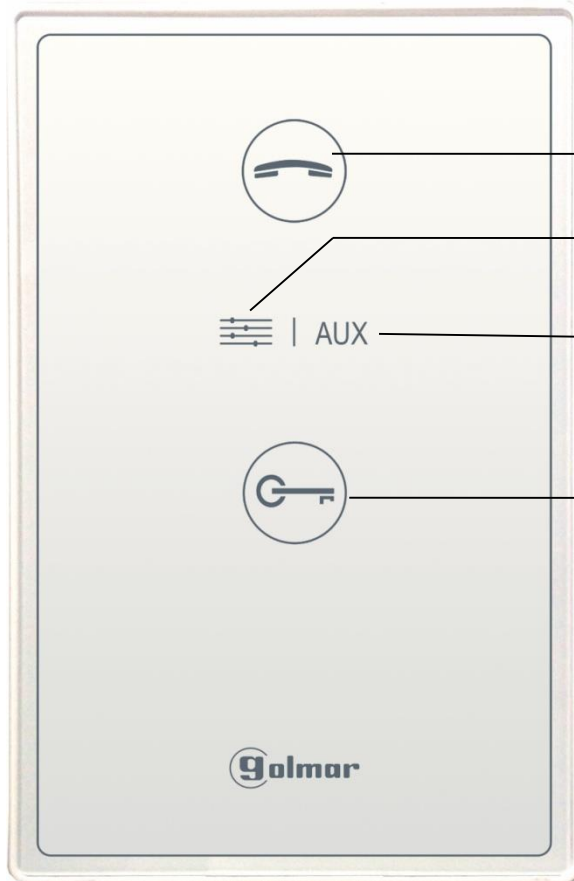




Nhea - Audio handsfree unit



NHEA



Answer.

Melody selection.

Intercom
Staircase light.

Door open.

Call volume adjustment.

- Easy programming through dip switches.
- Detachable connectors.
- Door bell - HZ
- Doctor mode.
- Up to 4 units per apartment.

90 (W) 138 (H) 19 (D) mm



Settings- Telephones

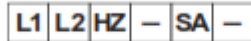


Telephones



- Dip 1-5: set panel telephone address, from 0 to 127.
- Dip 6-7: leave OFF.
- Dip 8-9: Sets the telephone as master (00) or slave 1, 2 or 3 (10, 01 ,11)
- Dip 10: leave OFF.
- Dip 11: Sets end of line when there are video monitors.
- Dip 12: Set ON for Doctor mode (set volumen to off).

Description of connection terminals:



- L1, L2:** BUS connection.
- HZ , -:** Door bell push button connection.
- SA , -:** Call repeater connection, (SAR-12/24).
(12Vdc/50mA maximum).

Change melody tones:



Up to three groups of tones can be selected. Press the hook and while keep pressed , press the settings button to listen the different available groups in carroussel.



Vesta2 – handsfree monitor



optional

- Induction loop speaker available.(VESTA2/H).
- Friendly to use and easy to navigate through the menu.
- Big buttons at the front for the main functions.

VESTA2



4,3 inch screen

Backlit notification icons
Capacitive buttons

Door open

Answer button / self activation

138 (W) 138 (H) 19 (D) mm





Thera – hands free monitor



- Induction loop speaker available.(Thera/H).
- Friendly to use and easy to navigate through the menu.
- Big buttons at the front for the main functions.



optional

Surface box available

THERA



7 inch screen

Backlit notification icons
Capacitive buttons

Door open

Answer button / self activation

212 (W) 138 (H) 15 (D) mm



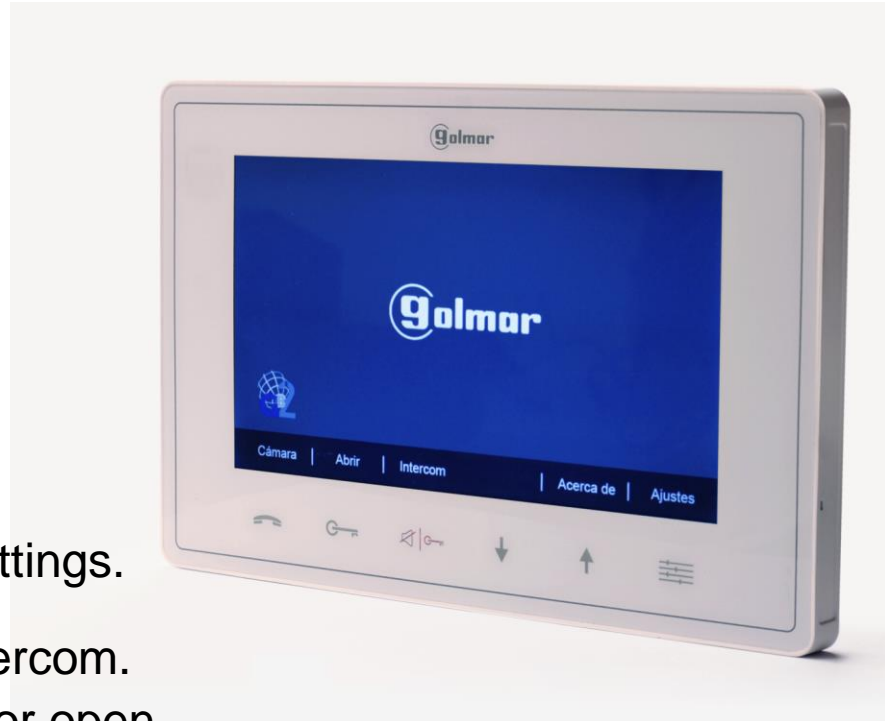
Vesta7 – hands free monitor



Surface box available

VESTA7

- Basic features monitor.
- Friendly to use and easy to navigate through the menu.
- Big capacitive backlit buttons at the front.



- Settings.
- Intercom.
- Door open.
- Answer button / self activation.



Pentha7 – hands free monitor



NEW

PENTHA7

- Induction loop speaker.
- Friendly to use and easy to navigate through the menu.
- 7 inch capacitive screen.
- Glass front.
- Image memory.
- Vocal messages.

Surface box available



Pentha7 – hands free monitor



NEW

Quad vision. Simultaneous vision of the 4 cameras connected to DQ-CAM-GB2



Pentha7 – hands free monitor



NEW

Video mode 4:3 or 16:9



Electronic zoom.



(only with Jazz panel)



Features - Intercom



Building mode: It is possible to intercom selectively with any of the monitors from other apartments, or with the slave monitors from the same apartment.

Villa mode: It is possible to intercom selectively with any of the other monitors existing in the villa .



Intercom with the apartment monitors.



Intercom with other apartment monitors.



Direct call to the monitor set as “Guard monitor” – code 00.

Broadcast intercom: Thera monitor allows to intercom in broadcast method, so that all monitors *in the same apartment* will transmit the vocal message at the same time as if it was a public announcement.



Settings- Monitors

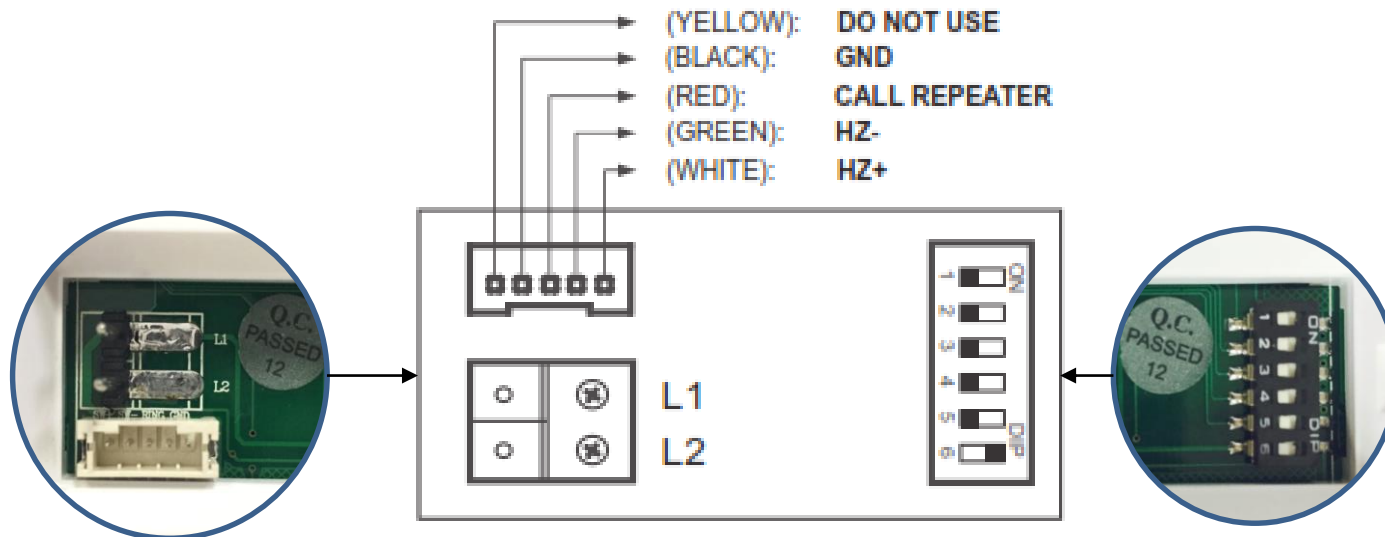


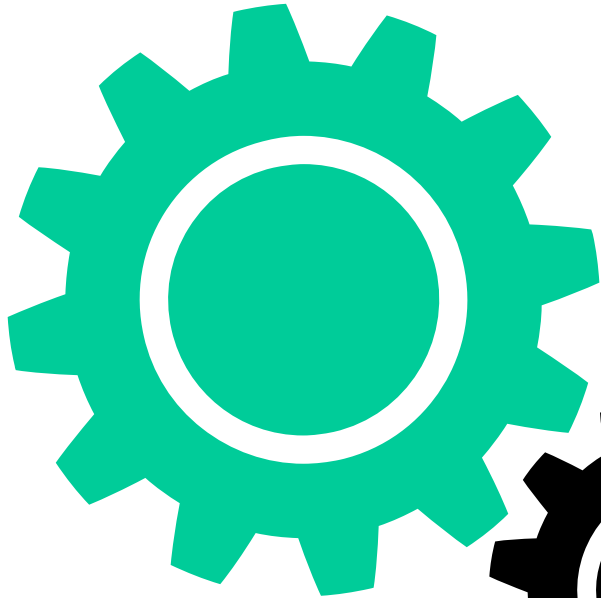
Monitors



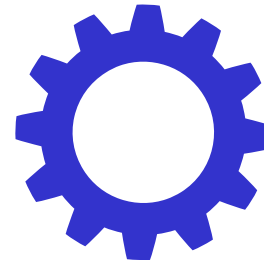
Dip 1-5: Set monitor address, from 0 to 31.

Dip 6: End of line resistor. Activate only in the last monitor.





Kits range



Kits Vesta2



Kit Vesta2
NEXA Modular AL
1 or 2 families



Kits Vesta 2&7



NEW



Kits Vesta 2
NEXA Modular AL
1 or 2 families
Up to 16 monitors.

Kits Vesta 7
NEXA Modular AL
1 or 2 families



Kit Jazz



NEW



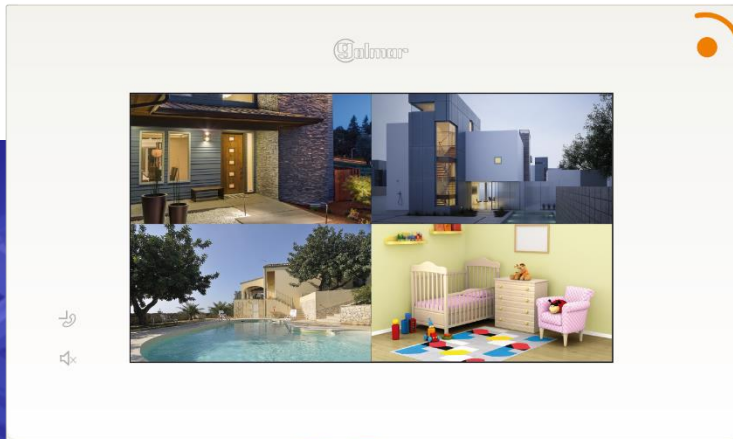
Kit Jazz
1 or 2 families
Up to 4 monitors
ZAMAC panel

2 buttons panel sold separately

Kit Jazz++



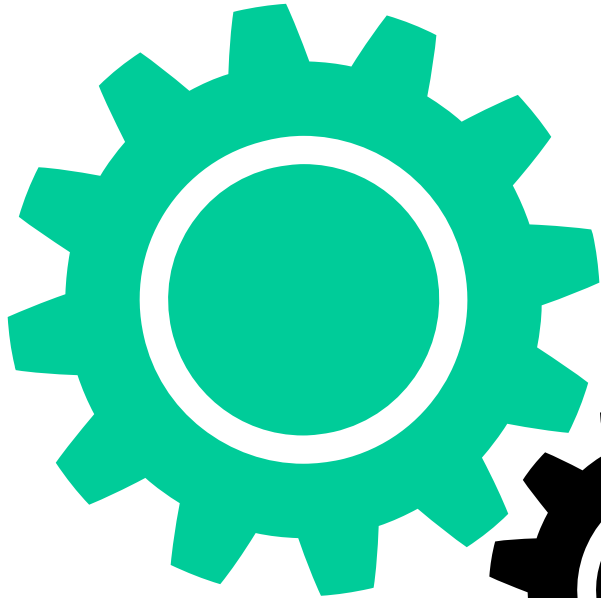
NEW



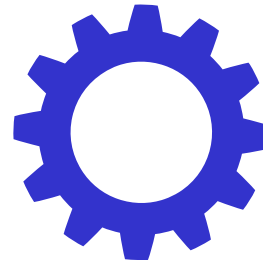
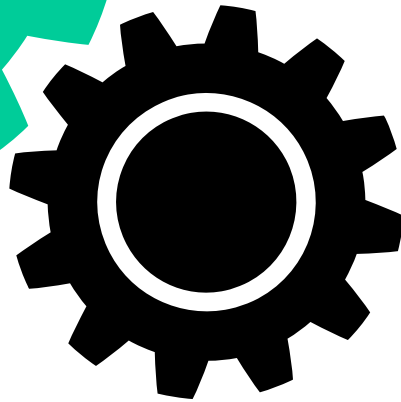
Kits Jazz ++
1 or 2 families
Up to 4 monitors
ZAMAC panel

Proximity Access control
Electronic zoom
Fish-eye camera

2 buttons panel



++Modules

A horizontal bar composed of five colored segments: dark blue, medium blue, light blue, black, and grey.



Power supplies

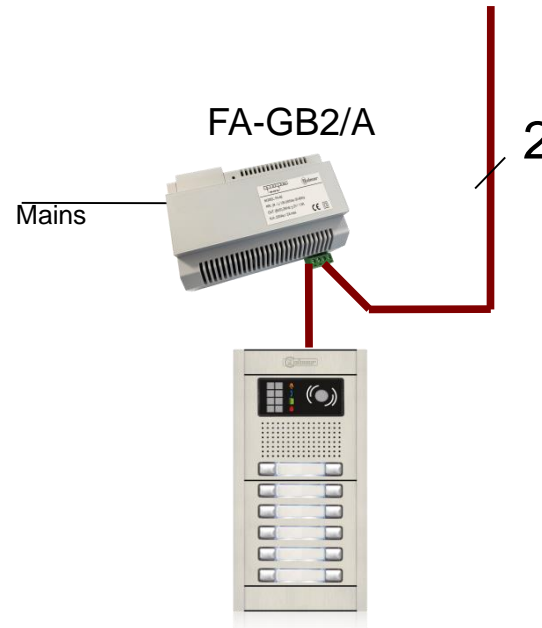


FA-GB2*



- 110-230 Vac input.
- Protected against: Short-circuits, overload, over voltage.
- Placed in between the entry panel BUS and the monitors

FA-GB2/A



(* Only available for Vesta2 monitor when MM-GB2 is required in villa mode.



Distributors



DP-GB2A

- Up to 4 entry panels.
- Can be used also as floor distributor.
- Isolated output.

D2L-GB2

Floor video distributor.

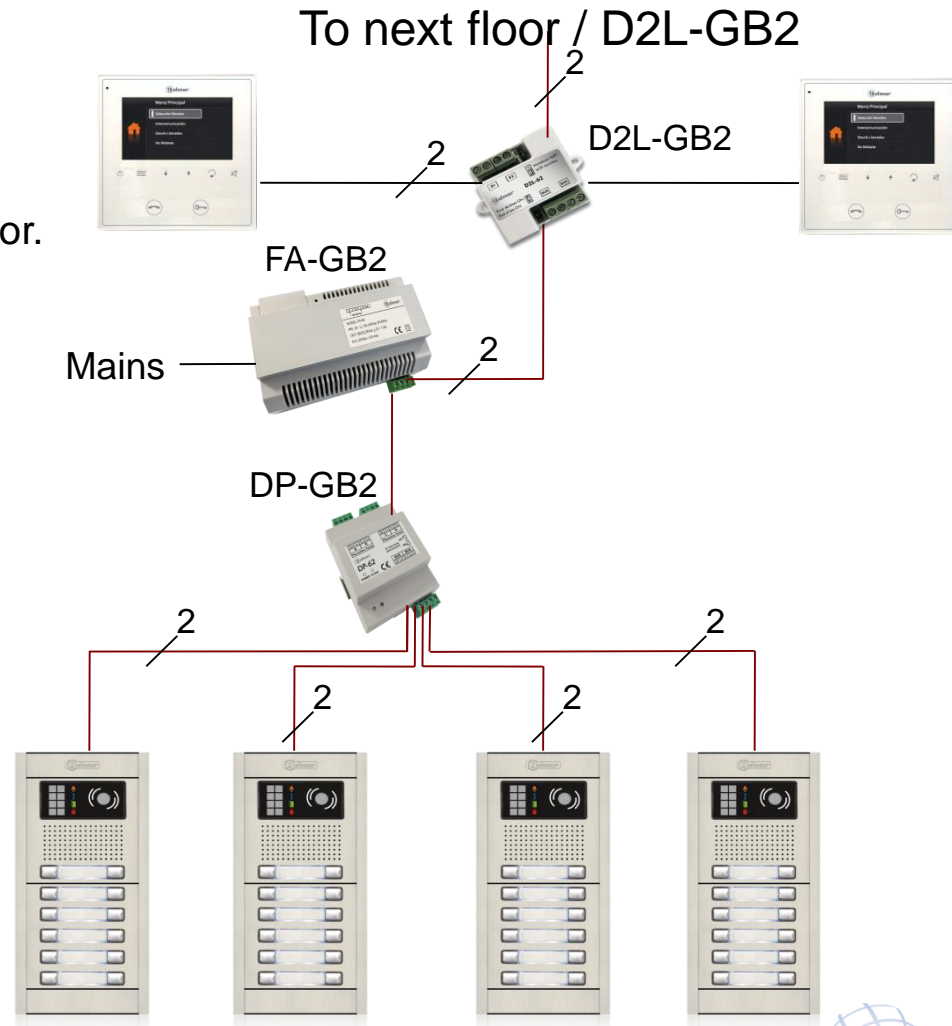
- 2 outputs.
- End line resistor.
- Small case.



End of line resistor.

M39 jumper – current regulation.

Use to solve stationary/standing wave in systems, manifested as blue screen in middle monitors.

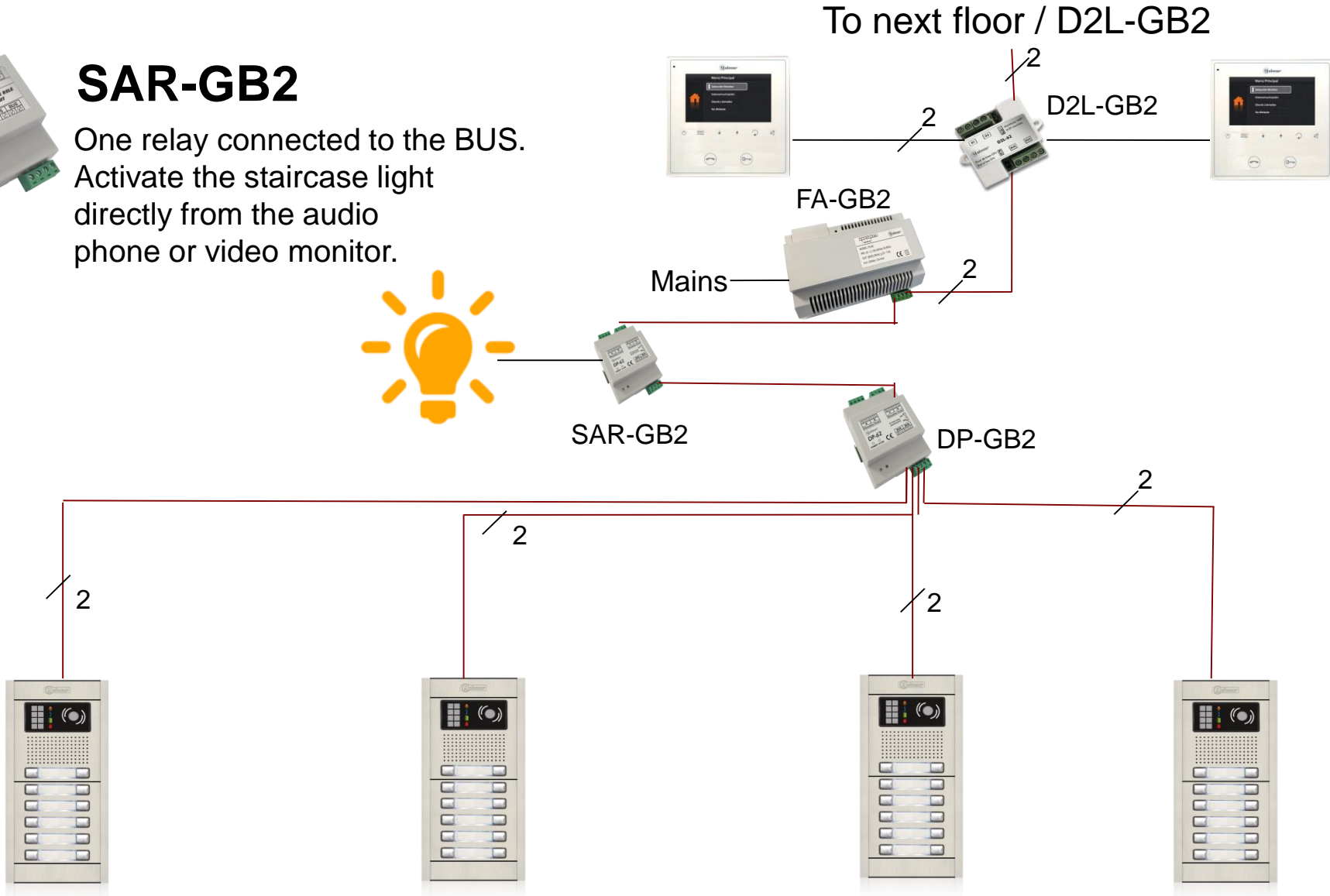


Bus relay -1



SAR-GB2

One relay connected to the BUS.
Activate the staircase light
directly from the audio
phone or video monitor.

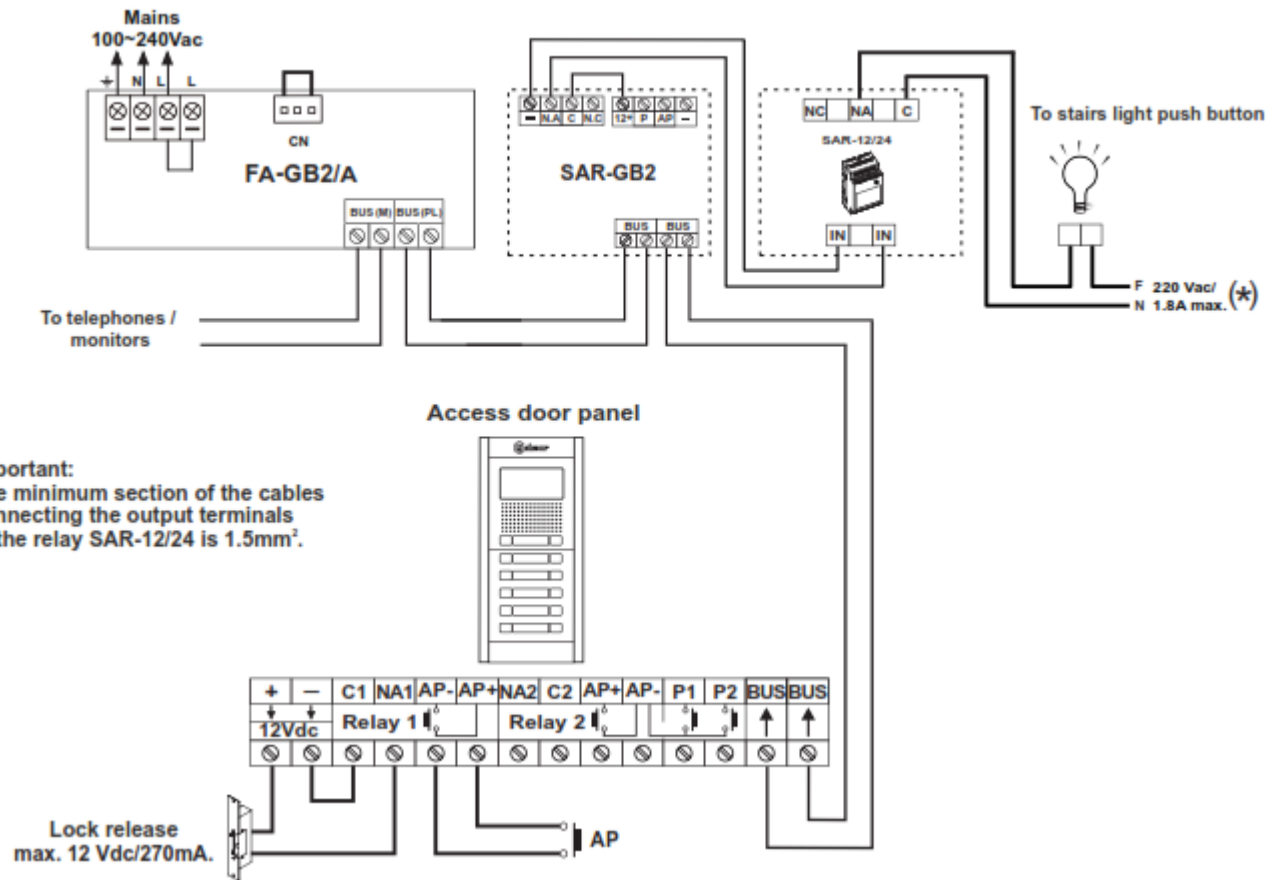


Bus relay - 1



SAR-GB2

Stairs light activation relay:



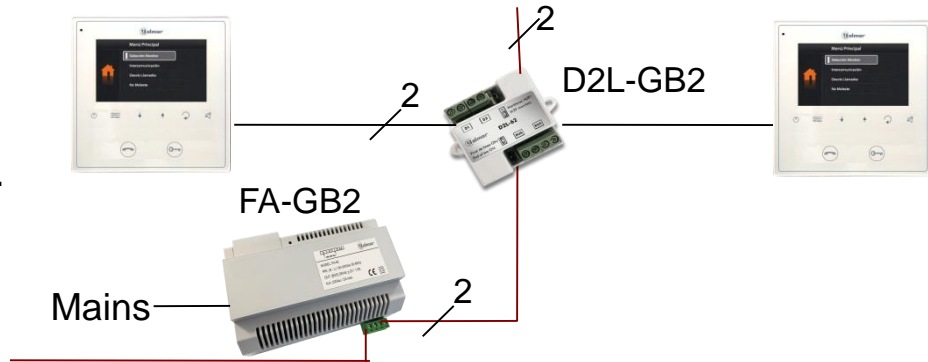
Bus relay -2



SAR-GB2

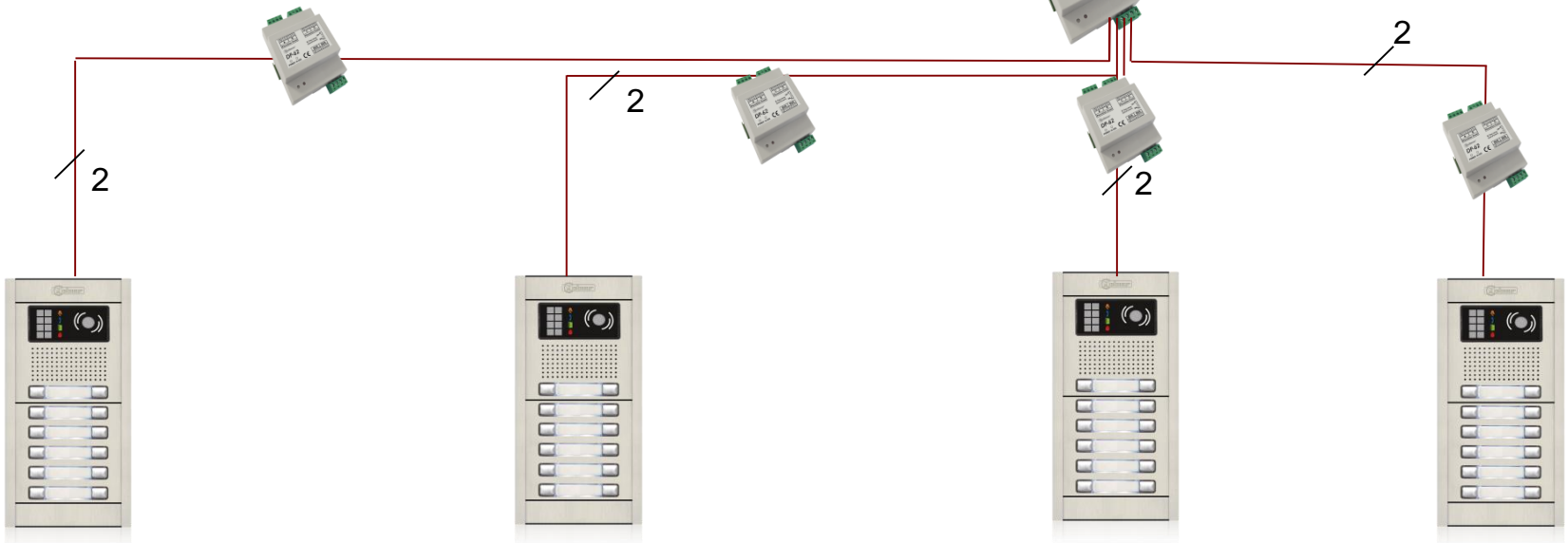
Used as bus relay to increase Security as remote door lock activation. Adjustable activation time.

To next floor / D2L-GB2



SAR-GB2

DP-GB2



Bus relay -2



SAR-GB2



Relay unit assigned to access door panel 2 and lock release 1.



Relay unit assigned to access door panel 2 and lock release 2.



Relay unit assigned to access door panel 3 and lock release 1.



Relay unit assigned to access door panel 3 and lock release 2.



Relay unit assigned to access door panel 4 and lock release 1.



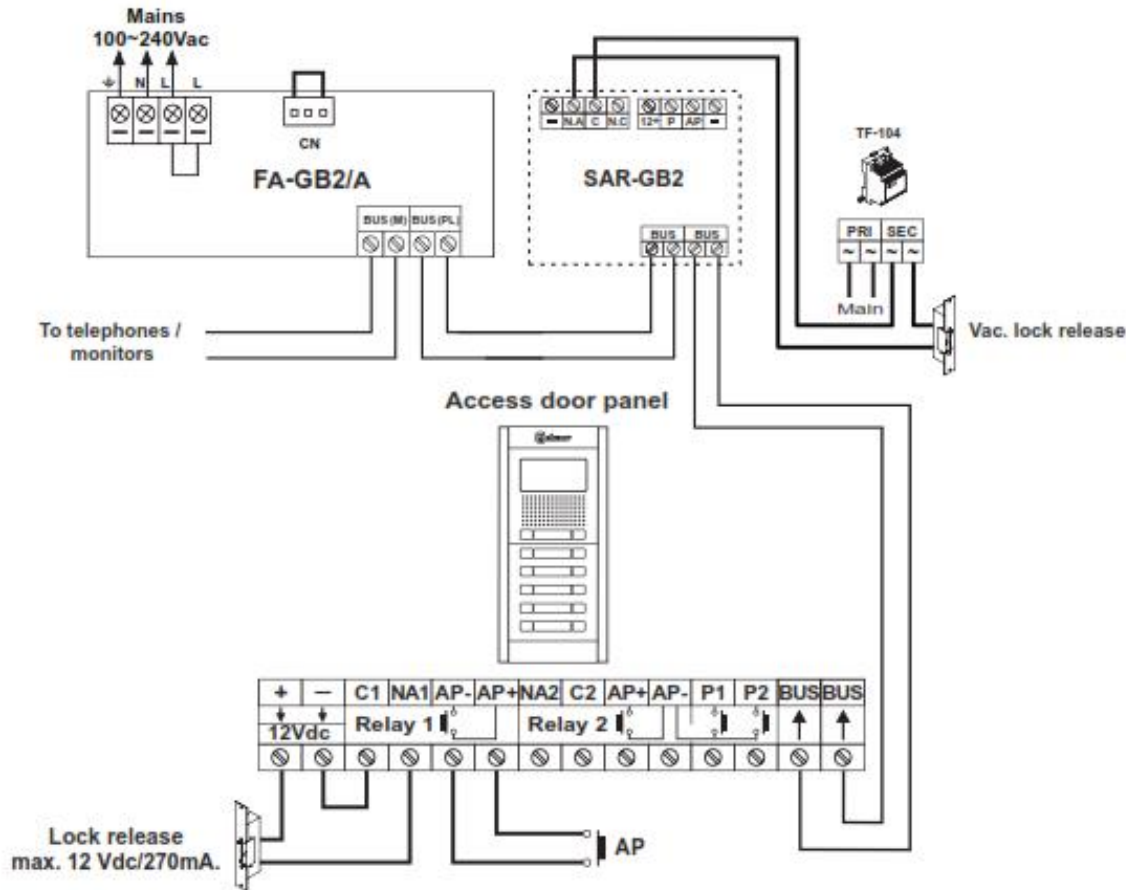
Relay unit assigned to access door panel 4 and lock release 2.

Bus relay -2



SAR-GB2

Golmar additional alternating lock release relay:





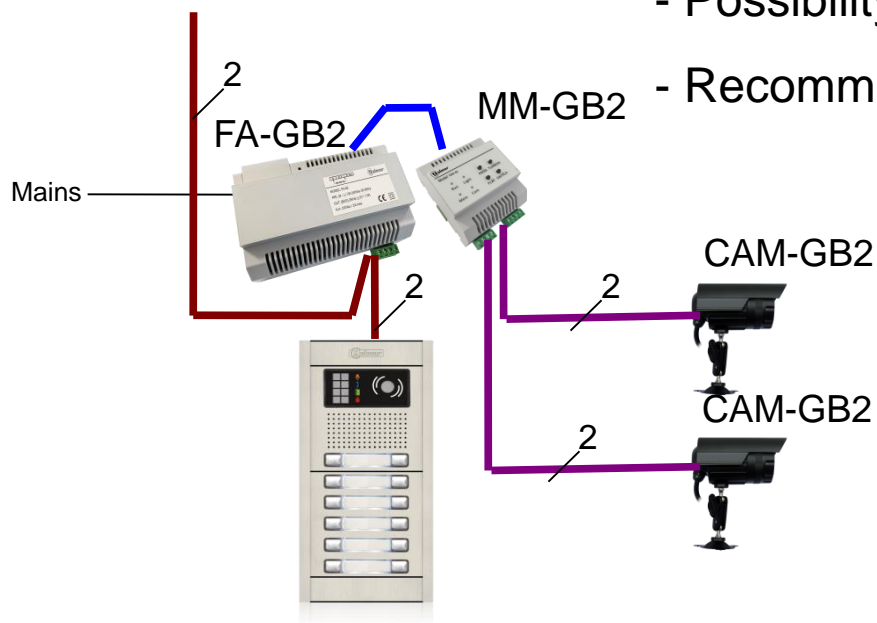
Video memory



MM-GB2



- Connected directly to the **FA-GB2** power supply.
- Records all coming calls from the entry panel.
- Video composite output with trigger signal.
- Test buttons to check the recorded videos.
- Possibility to connect 2 extra cameras CAM-GB2
- Recommended only for “Villa mode” Vesta2 monitors.



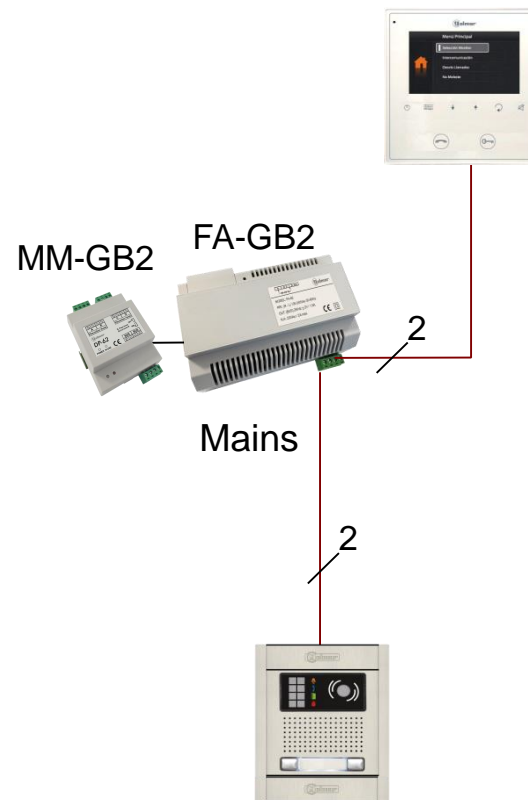
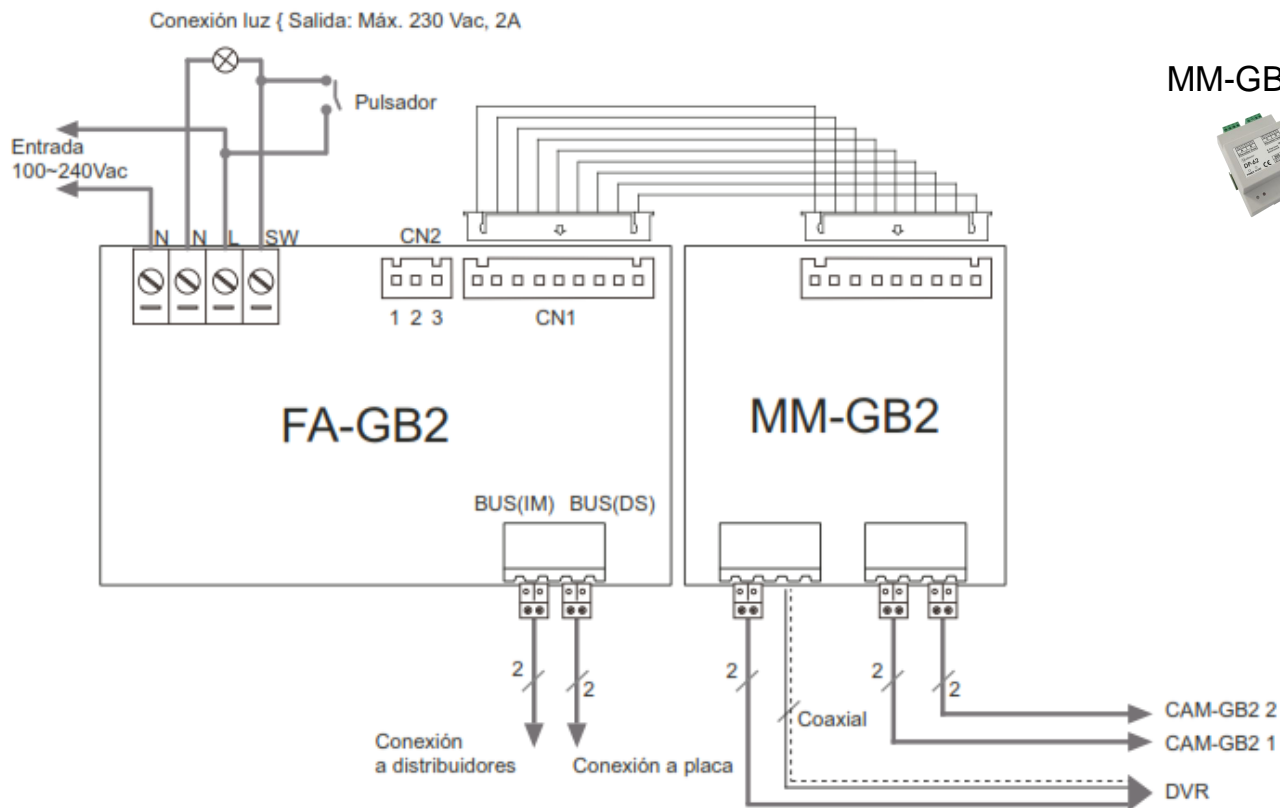
Thera monitor already includes image memory. Videos can be recorded adding a micro SD card.



Memory module / MM-GB2



MM-GB2





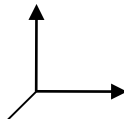
Features – Extra Camera



CAM-GB2



- 2 wires camera for GB2 system.
- Lens: 3,6mm.
- Lux: 0-0,5
- Resolution: 420 TVL.
- Power consumption 300mA

 60 (W) 60 (H) 100 (D) mm



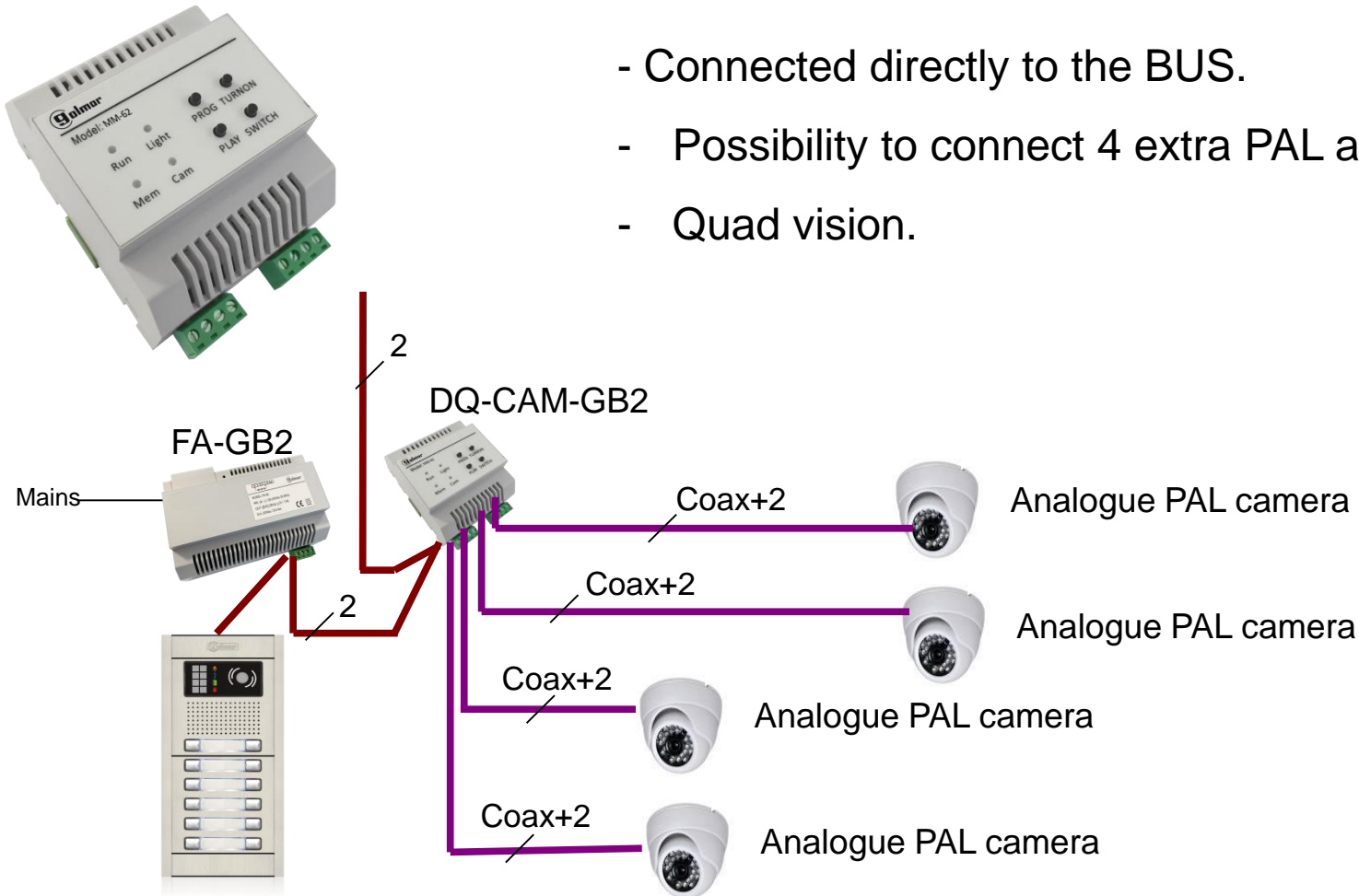


Features - Extra cameras



DQ-CAM-GB2

- Connected directly to the BUS.
- Possibility to connect 4 extra PAL analogue cameras.
- Quad vision.

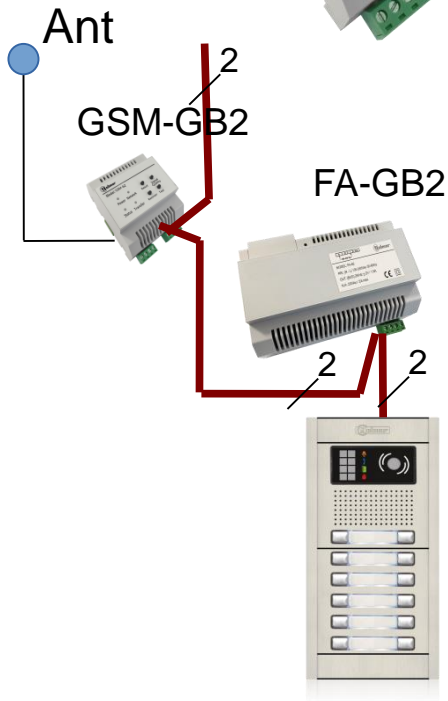




Features – call forward



GSM-GB2



- One unit for all the apartment monitors from the system.
- To be connected at any point of the installation (BUS-in BUS-out).
- SIM card slot, for the GSM call forwarding.
- Supplied with a small antenna.
- Each monitor can choose its own call divert number.
- Can be set in three modes: Divert always, no divert, divert if no answer.
- Buttons for testing purposes. Network status and test call.



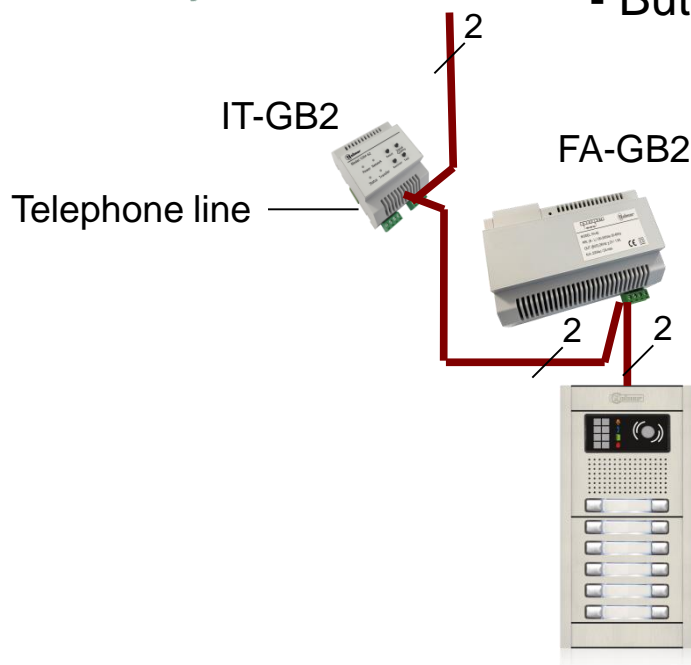
Features – call forward

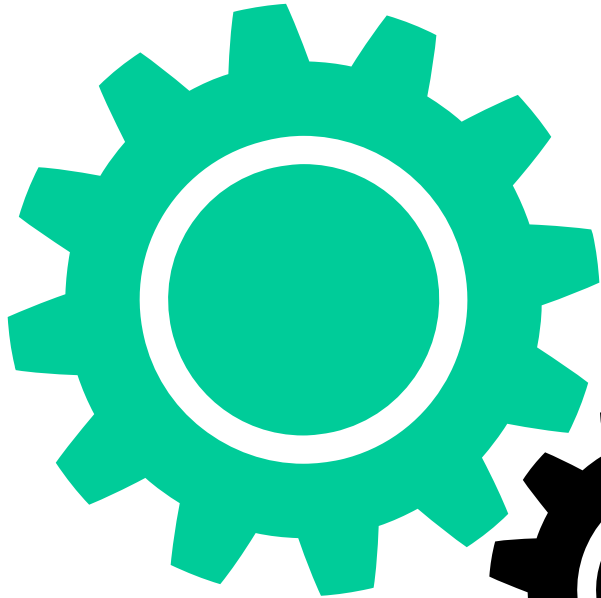


IT-GB2

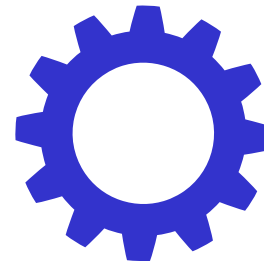
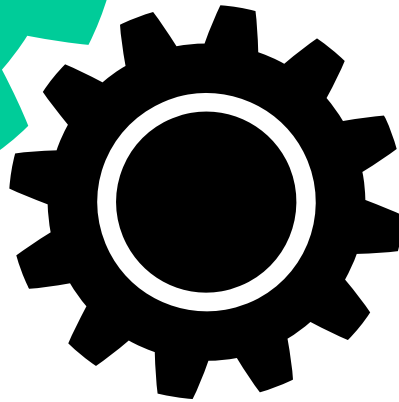


- One unit for all the apartment monitors from the system.
- To be connected at any point of the installation.
- Each monitor can choose its own call divert number.
- 3 modes: Divert always, no divert, divert if no answer.
- Buttons for testing purposes. Network status and test call.

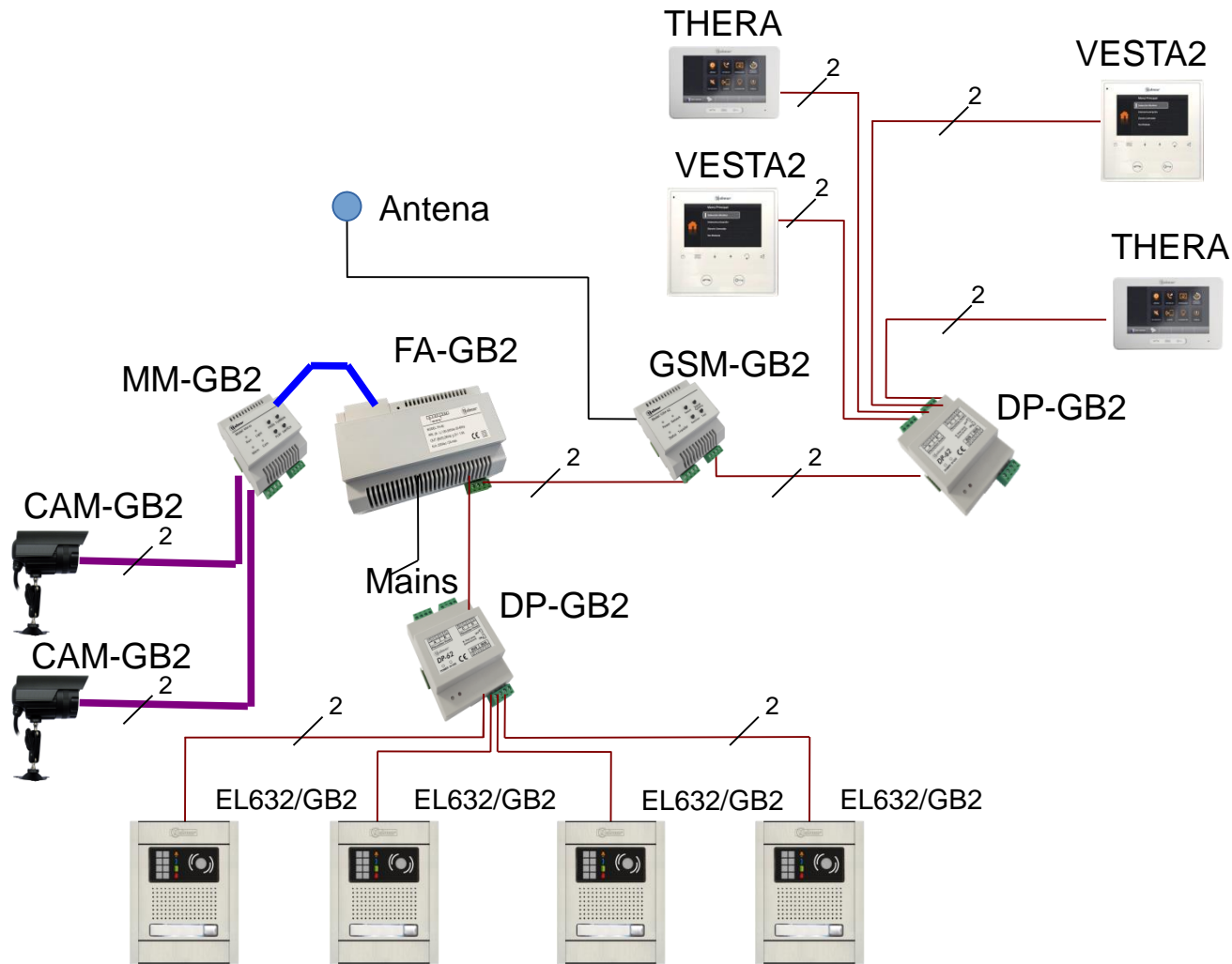




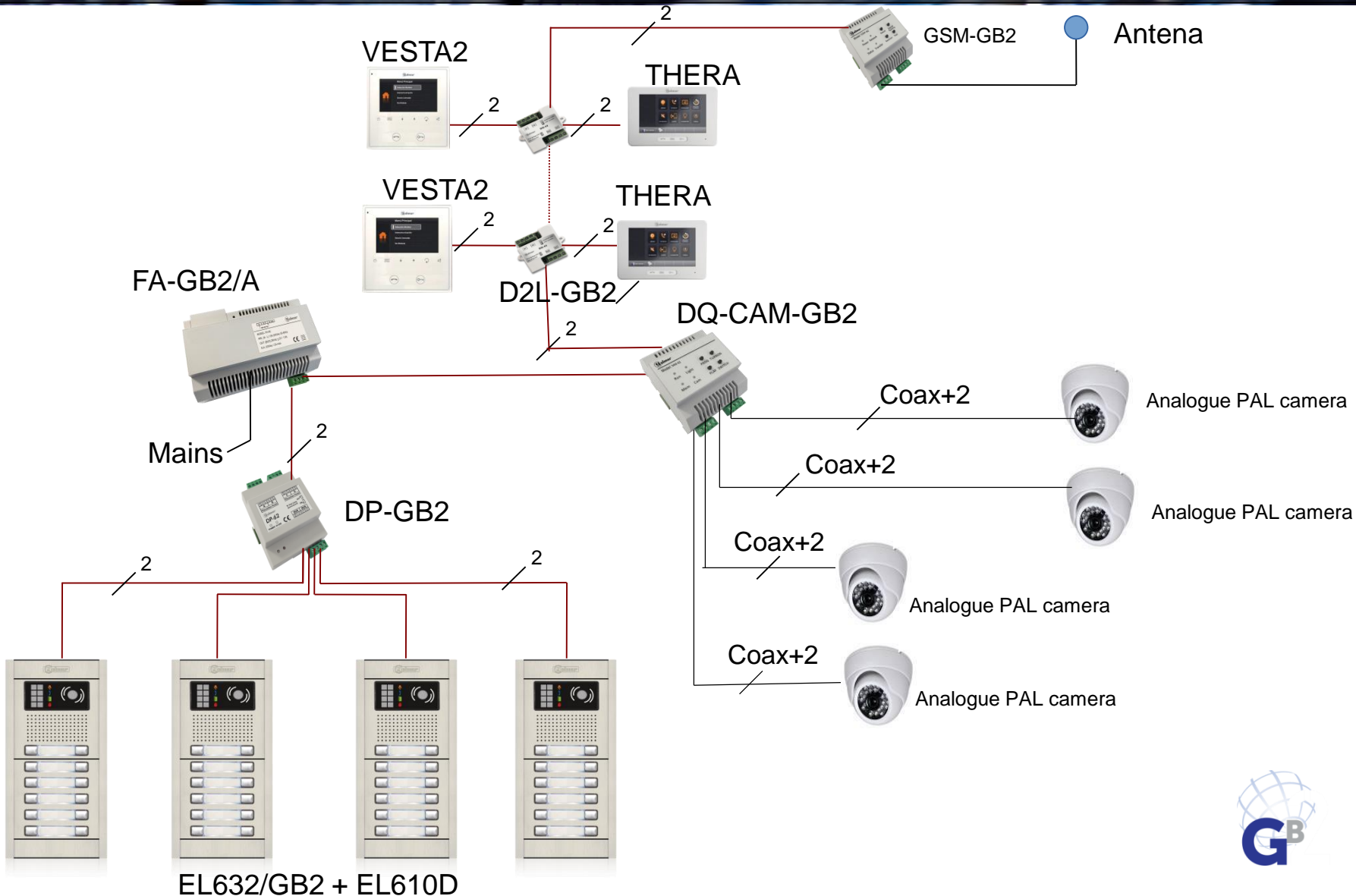
Diagrams



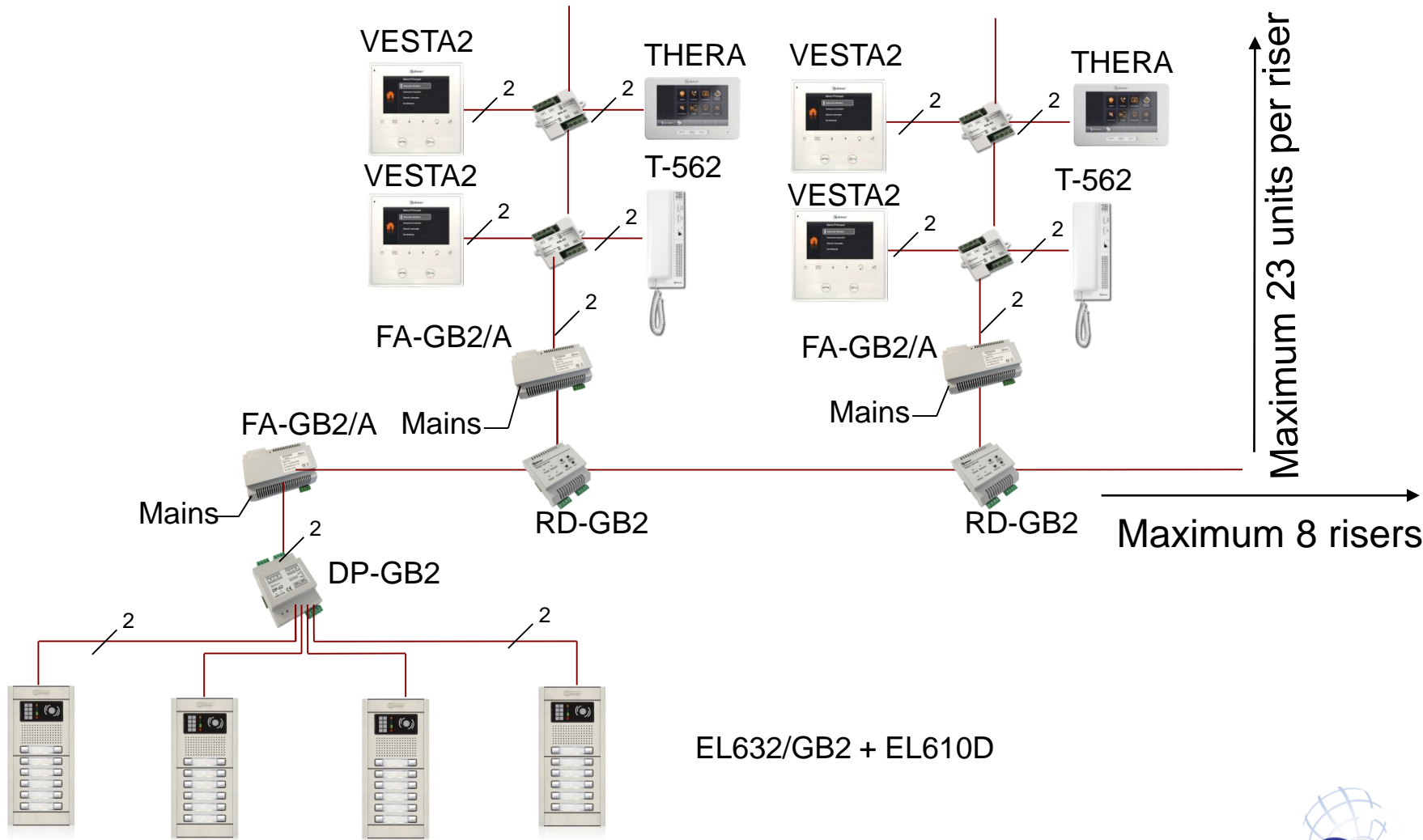
Installation diagrams - villa



Installation diagrams - building



Diagrams – building mode with RD-GB2





@golmar

Thanks for your attention.

Download all technical manuals at: <https://doc.golmar.es>

Get the full catalogue from Golmar range at : <https://goo.gl/DXJzUq>

