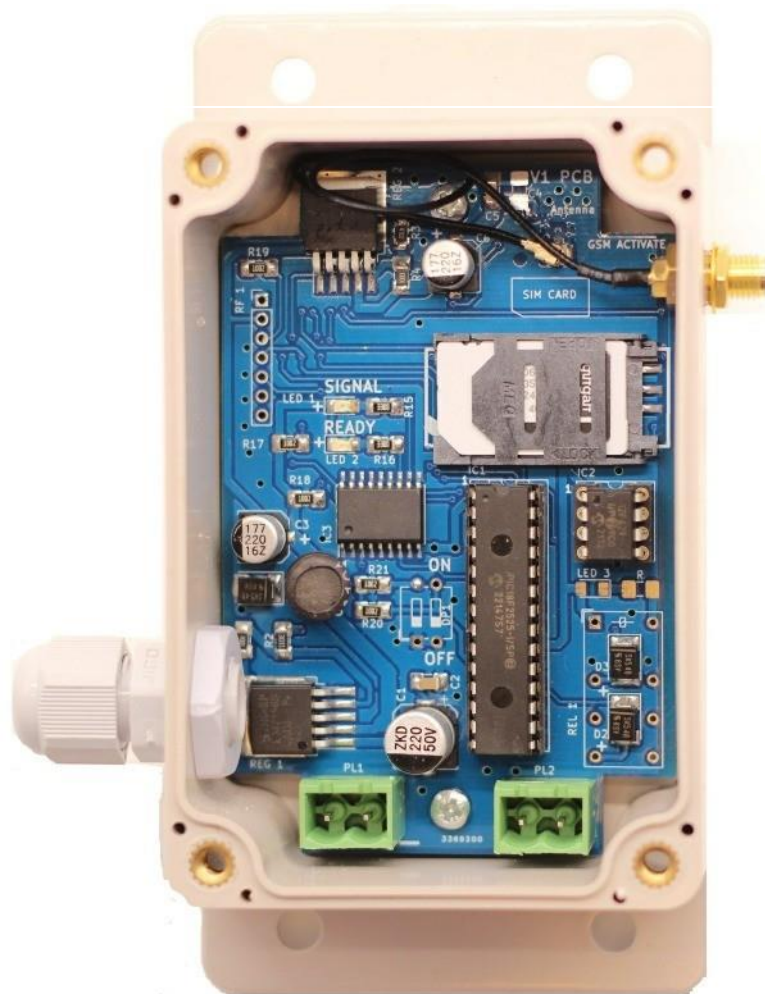




4G/GSM alarmsender Holars Mini, 2 innganger



Product Information

Our GSM Eco Dialler is a smaller more economical version of our standard GSM dialler which can be attached to many of your electronic devices in your home; work, gardens or wherever you may need it. It will alert you using GSM technology by sending a text message or phone call to your mobile phone or landline. Therefore alerting you immediately to a problem, failure or status change wherever you are in the world!

These Auto Diallers are set apart from other models on the market by being on the quad band frequency meaning they can be used worldwide and we frequently ship models all over Europe, USA and Australia with excellent feedback.

The unit is also enclosed in an IP65 rated enclosure ensuring it is perfectly weathered for outside installation and has passed testing in high heats and below freezing conditions.

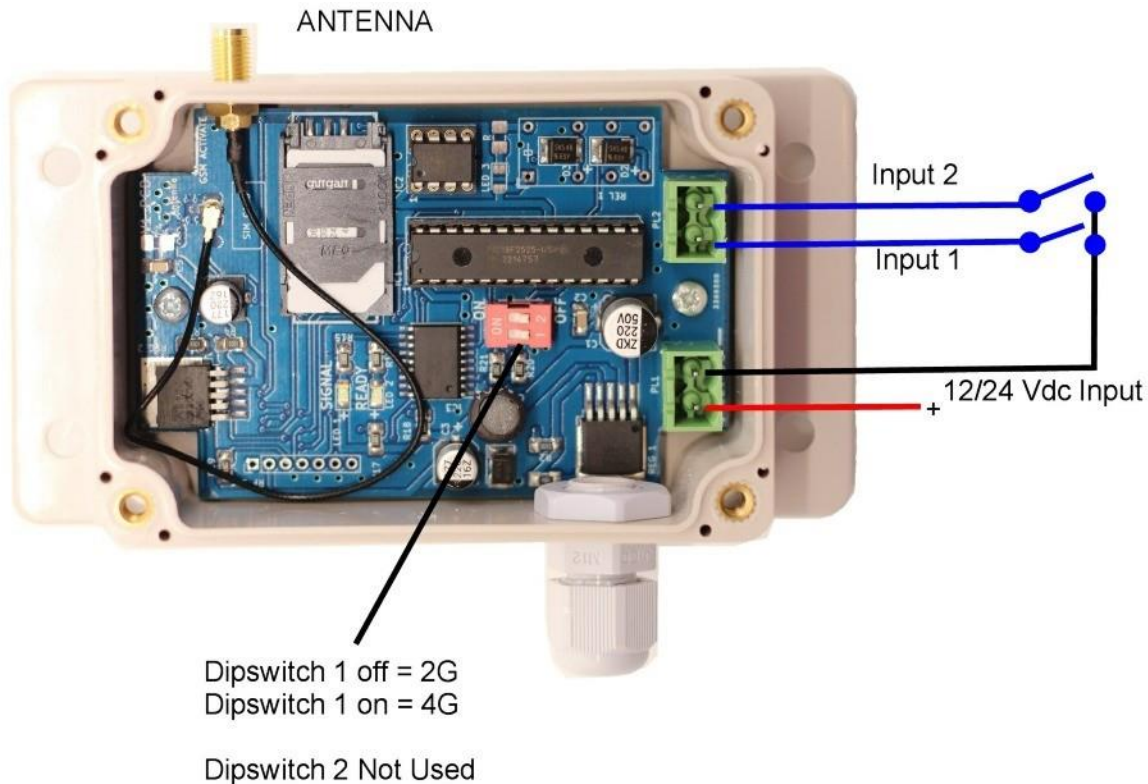
Specification

- GSM Frequency: Quadband Freq 850/900/1800/1900/2100mhz
- LTE Band : B1/B3/B5/B7/B8/B20
- Power Supply Voltage: 12 volts DC - 1 Amp Min
- Current used in standby mode: 60mA Max
- IP65 Rated Enclosure for outside installation
- 2 Inputs - Negative triggered
- 5 Users
- Micro Simcard
- No landline needed
- Dimensions - L100 x W68 x H50mm
- Dimensions (PCB Only) - L95 x W67mm
- Sim Active Function
- Operating Temperature: -20...+60°C
- Programmed by Text/SMS Message
- Text to test signal strength
- 2G or 4G Model

SIM Active Function

Our GSM Auto Dialler comes with a SIM Active function meaning that it will send a message every six weeks to a preprogrammed number we at GSM Activate own to prevent the SIM card being shut down due to inactivity.

Instructions



IMPORTANT - PLEASE READ

Please make sure you disconnect the power when you fit the simcard. Then slide the simcard into the holder making sure that the clipped corner of the simcard lines up with the clipped corner of the simcard holder as seen in the image above.

Dipswitch Settings

For 2G please switch the dipswitch setting, as seen in image above, to the OFF position
For 4G please switch the dipswitch setting, as seen in image above, to the ON position

Signal Strength

To help make sure that you place the unit in a suitable position you can text the unit to see how much signal strength the Auto Dialler is receiving. Please text the command

#SIGNAL#

The eco Auto Dialler will perform a test on the signal strength and report with a score of between 0 to 30. We strongly recommend that you place the unit where you will get a signal score of at least 10. You will find anything less that this will make the unit unreliable.

How to Programme Contact Numbers

After inserting your simcard into your eco Auto Dialler, turn the unit on and wait to see the **GREEN** ready LED light come on. This will indicate that you have a mobile signal and the unit is ready for use.

You will now need to send a text with the contact numbers.

NOTE - To avoid confusion we have colour coded the **HASH (#)** and the **EQUALS (=)** symbols.

The number should be your number or one you wish to be able to enable the device. (Maximum of 5 contact numbers)

Example: (hash) (1,2, 3, 4 or 5) (equals) (phone number) (hash)

#1=07123456789# To save for contact no:1

#2=07234567891# To save for contact no:2

#3=07345678912# To save for contact no:3

#4=07345678912# To save for contact no:4

#5=07345678912# To save for contact no:5

If you wish to cancel a number, please follow this example

Example: (hash) (1,2, 3, 4 or 5) (equals) (DELETE) (hash)

#1=DELETE# Then send this to the simcard within the unit

IMPORTANT - PLEASE READ

Please send one message at a time and wait for the Auto Dialler to respond by sending the text acknowledgement "NUMBER STORED" before you attempt to send the next number.

Below is a notepad to help you remember the numbers that you have saved to your unit in the event you need to modify or delete in the future.

#1= _____ #

#2= _____ #

#3= _____ #

#4= _____ #

#5= _____ #

How to Programme the SMS

You can now change the alarm message for inputs 1 & 2 to your own choosing.

To change the message send the text command as follows.

NOTE - Your message should read a message of your choosing up to 19 characters long.

MESS1=YOUR MESSAGE# The default message is (Input 1)

#MESS2=YOUR MESSAGE# The default message is (Input 2)

This will change the message to 'YOUR MESSAGE'

Telephone Call Alerts

The Auto Dialler can be programmed to send you a call after each text alarm has been sent.

You will receive approximately three ring tones. The unit will then hang up automatically avoiding any call charges being incurred.

To set call alerts to ON please send the text message

#CALL=ON#

The unit will reply back "CALL ON"

To disarm the call alerts please send the text message.

#CALL=OFF#

If the call function has been set to ON you will receive a text message and shortly after a phone call.

How to Use the GSM Auto Dialler

The Auto Dialler has two inputs.

Input 1 = Terminal 1 Connection. (Negatively Triggered) Pulled to Ground

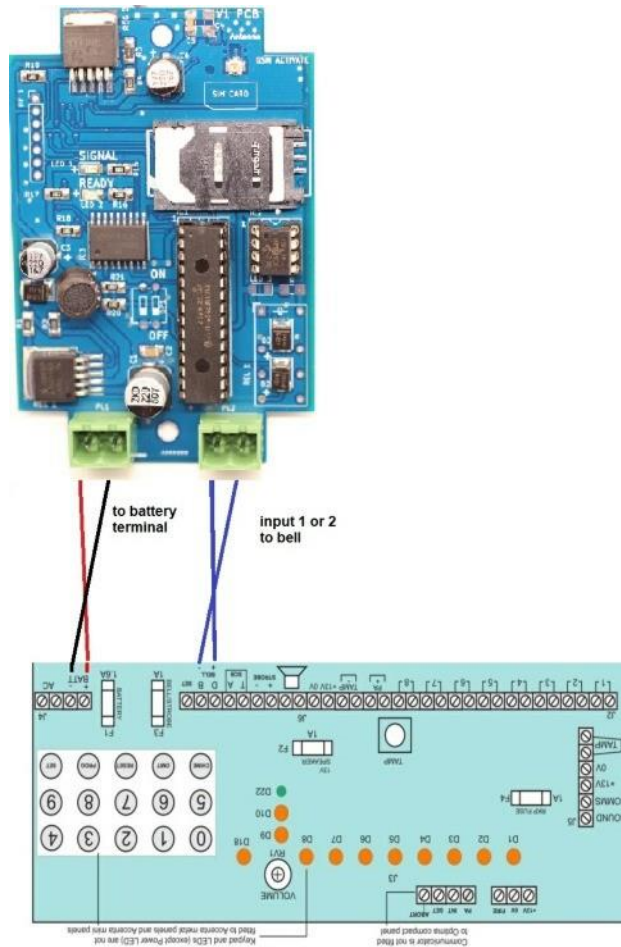
Input 2 = Terminal 2 Connection. (Negatively Triggered) Pulled to Ground

When the inputs are triggered the **GREEN** ready LED will flash 6 times to indicate that a trigger has been received and it will send a text and/or call to the saved user numbers.

Both Input 1 and input 2 can be triggered independently.

The Auto Dialler will reset automatically when the triggered input is released.

NOTE - Please ensure you supply a 12 volts DC from the battery terminals via a 2 amp fuse (for alarm panel instructions)



INPUT 1+2

As you can see in the circuit diagram above, the input can be activated by pulling the input 1 & 2 to ground.

The input can also be used with a variety of sensors and switches to trigger it and send out a text and call alert.

Quick Reference

SEND TEXT	OPERATION	ACKNOWLEDGMENT
#MESS1=MAX19CHARACTER#	Stores custom message for input 1	Message 1 stored
#MESS2=MAX19CHARACTER#	Stores custom message for input 2	Message 2 stored
#SIGNAL#	Gives signal strength	Score of 1-30
#1=NUMBER#	Saves contact number 1	Number Stored
#2=NUMBER#	Saves contact number 2	Number Stored
#3=NUMBER#	Saves contact number 3	Number Stored
#1=DELETE#	Deletes contact number 1	Number Deleted
#2=DELETE#	Deletes contact number 2	Number Deleted
#3=DELETE#	Deletes contact number 3	Number Deleted
#RESET#	Resets to factory settings	
#CALL=ON#	Switches text and call alerts ON	Call ON
#CALL=OFF#	Text alerts ONLY	Call OFF (default)

Reset

To reset the unit back to factory settings you will need to send a text message

#RESET#

WARNING This will reset all of your parameters. Only send a reset command when Necessary.
The **GREEN READY LED** will flash 8 times.

Typical Application of this Product

- Pumping stations; tanks, oil or water levels
- Security alarm system applications
- Supervision and monitoring alarm systems
- Automatic monitoring system
- Vending machines security protection
- Buildings and real estate
- Weather Stations
- River monitoring and flood control
- Fridges/Fish Tanks
- Farming equipment and security

For more information check out our websites

www.holars.se / www.holars.no

info@holars.se / info@holars.no

08-68409910 / +47-63961700