
Installation & Wiring Guide

FingerPrint Terminal

AC-2200



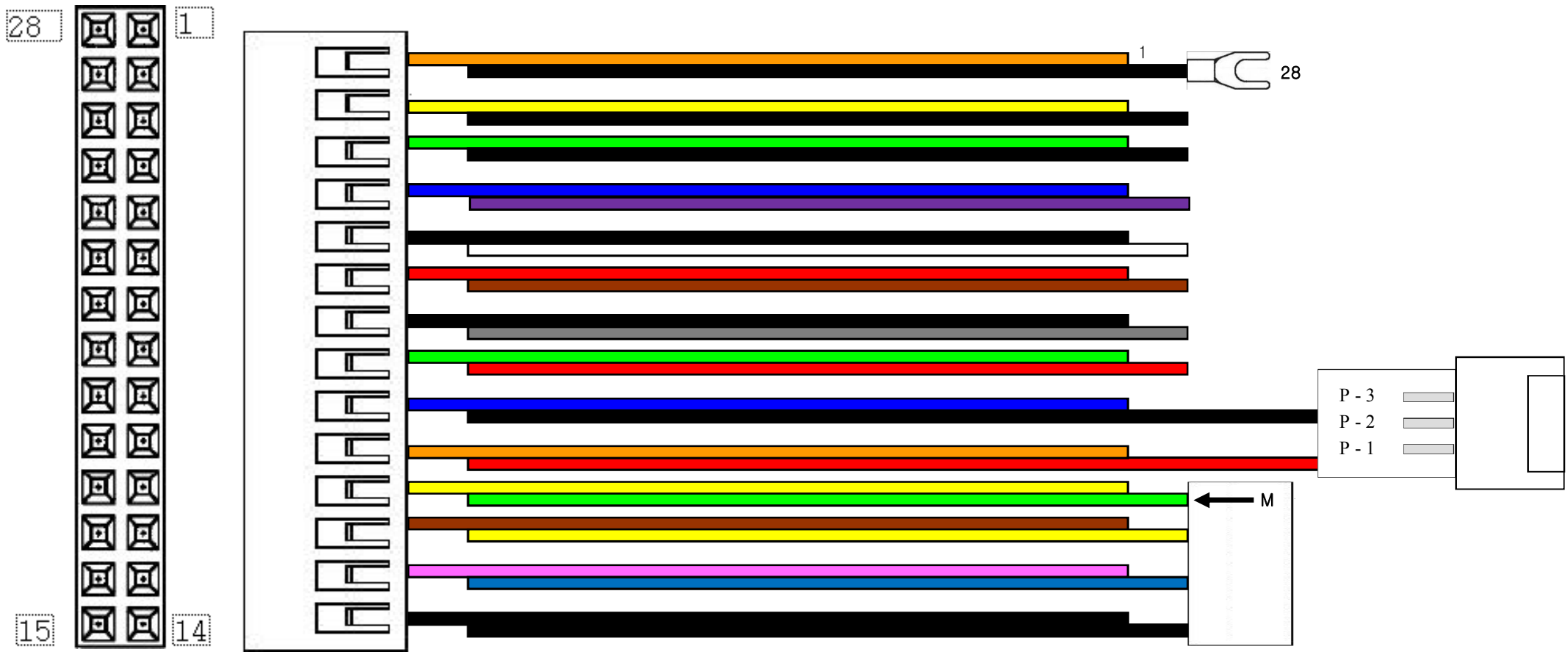
Doc. Ver. : V1.3

JUN.,28.2016

R&D Center

Union Community Co., Ltd.

1. Cable Descriptions



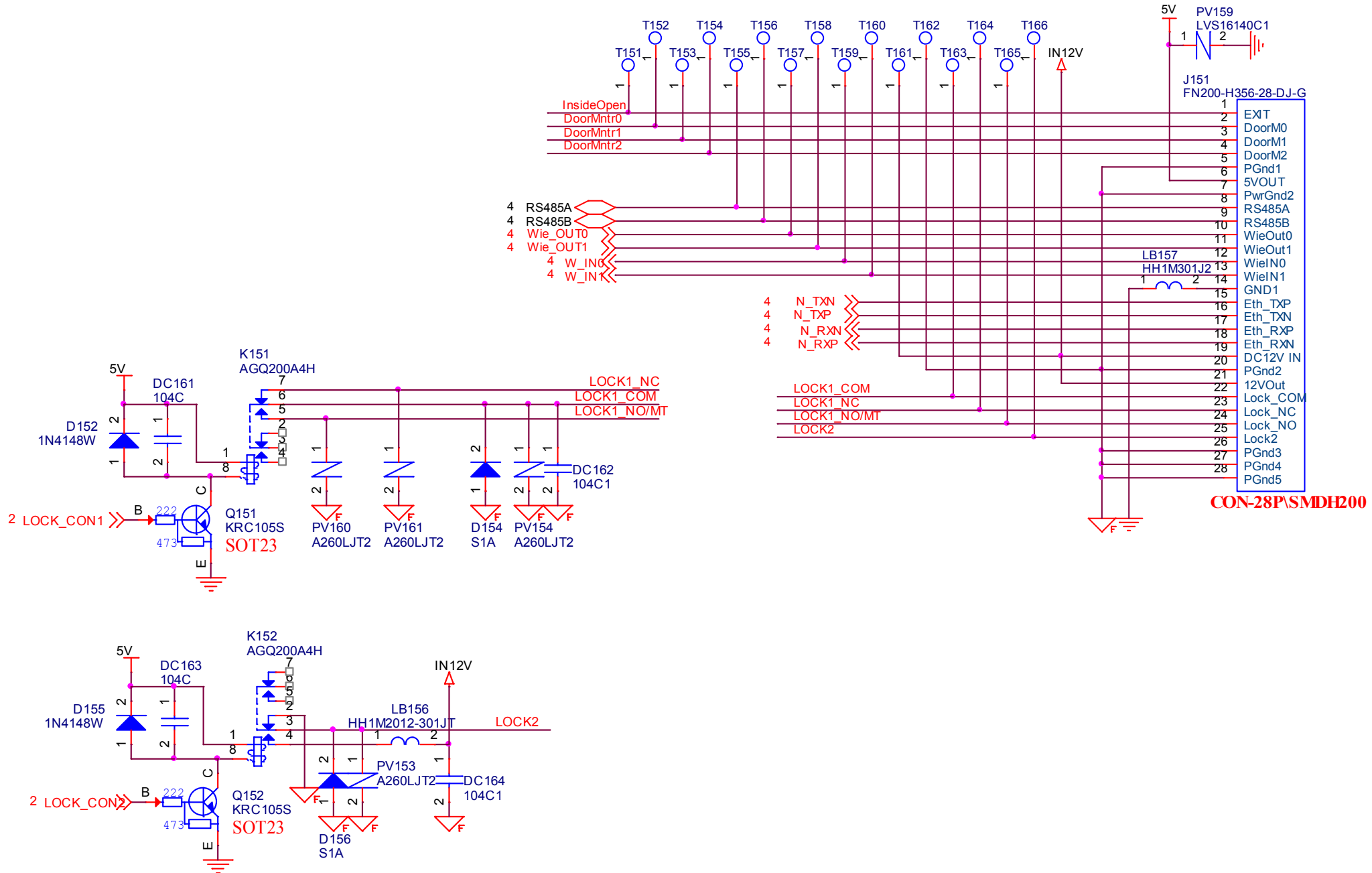
- 1. Orange : EXIT : EXT
- 2. Yellow : DM0 :DM0
- 3. Green : DM1 :DM1
- 4. Blue : DM2 :DM2
- 5. Black : Gnd : GND
- 6. Red : 5V : 5V
- 7. Black : Gnd : GND
- 8. Green : RS485A : R4A
- 9. Blue : RS465B : R4B

- 10. Orange : WieOut0 : WO0
- 11. Yellow : WieOut1 : WO1
- 12. Brown : WieIN0 : WI0
- 13. Pink : WieIN1 : WI1
- 14. Black : Gnd : GND
- 15. Black : E_TXP
- 16. Blue: E_TXN
- 17. Yellow : E_RXP
- 18. Green : E_RXN
- 19. Red : 12V IN : 12V
- 20. Black : Gnd : GND

- 21.Red : 12V Out : 12V
- 22.Gray : Lock 1 Com : L1C
- 23.Brown : Lock 1 NC : L1NC
- 24.White : Lock 1 NO : L1NO
- 25.Violet : Lock2 : L2
- 26. Black : Gnd : GND
- 27. Black : Gnd : GND
- 28. Black : Gnd : GND

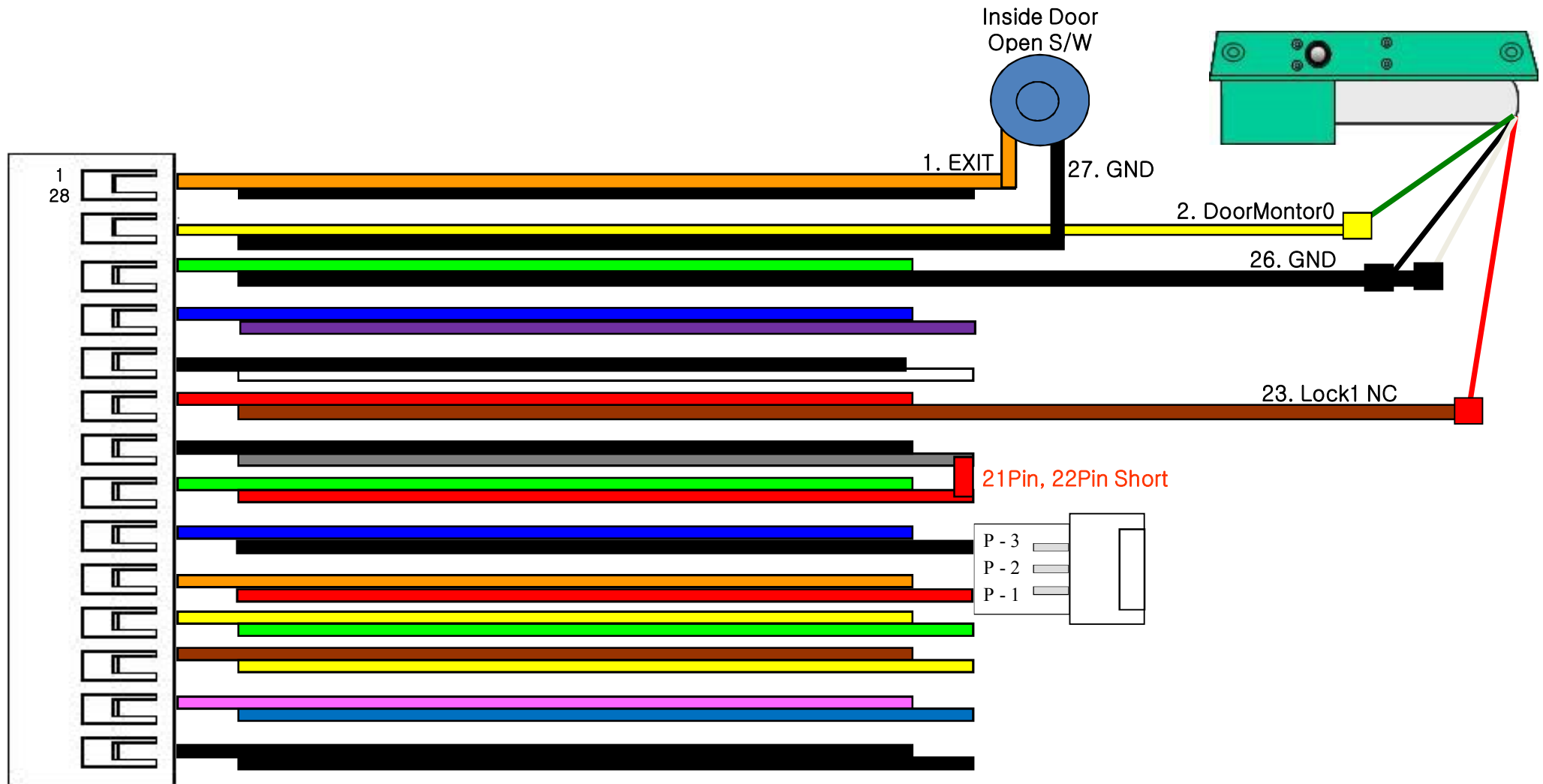
| H3 | Color | H1 |
|----|--------|----|
| P1 | Black | I5 |
| P2 | Blue | I6 |
| P3 | Yellow | I7 |
| P4 | - | - |
| P5 | - | - |
| P6 | Green | I8 |
| P7 | - | - |
| P8 | - | - |

2. Schematic for Door Lock Interface



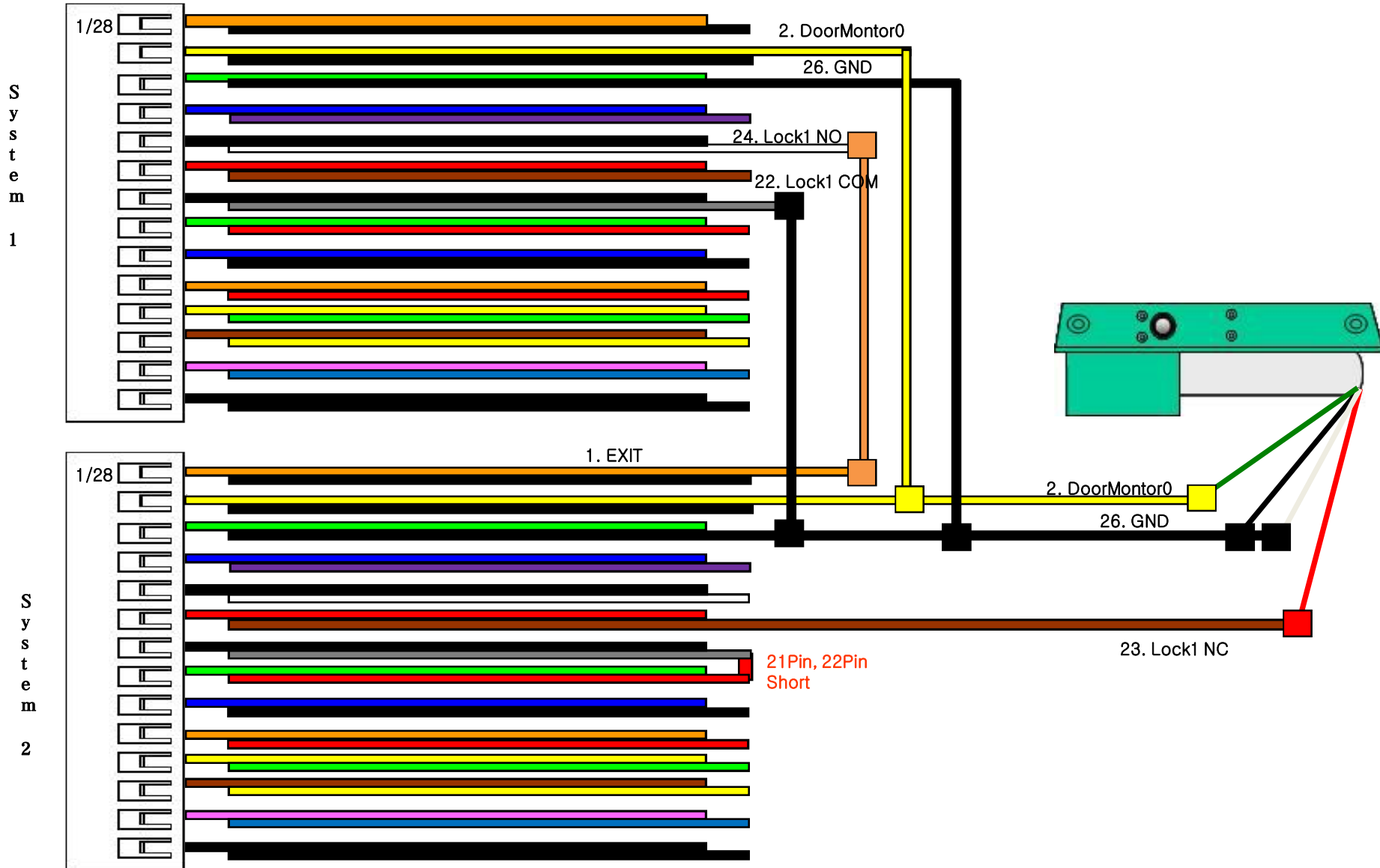
3. Connecting Dead-Bolt Type Door Lock (Fail Safe)

3.1. Connecting One System/ One Lock



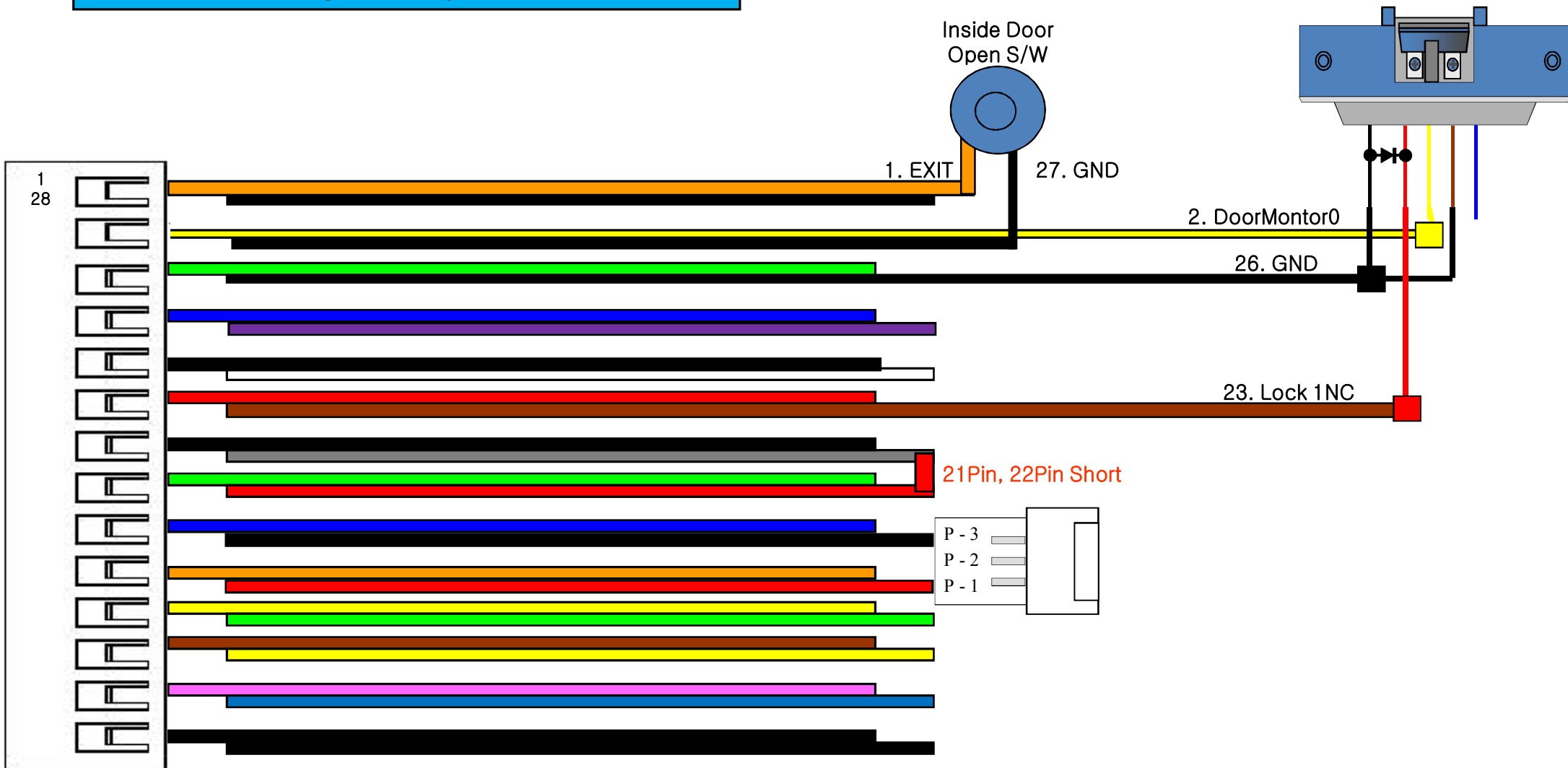
3. Connecting Dead-Bolt Type Door Lock (Fail Safe)

3.2. Connecting Two Systems/ One Lock



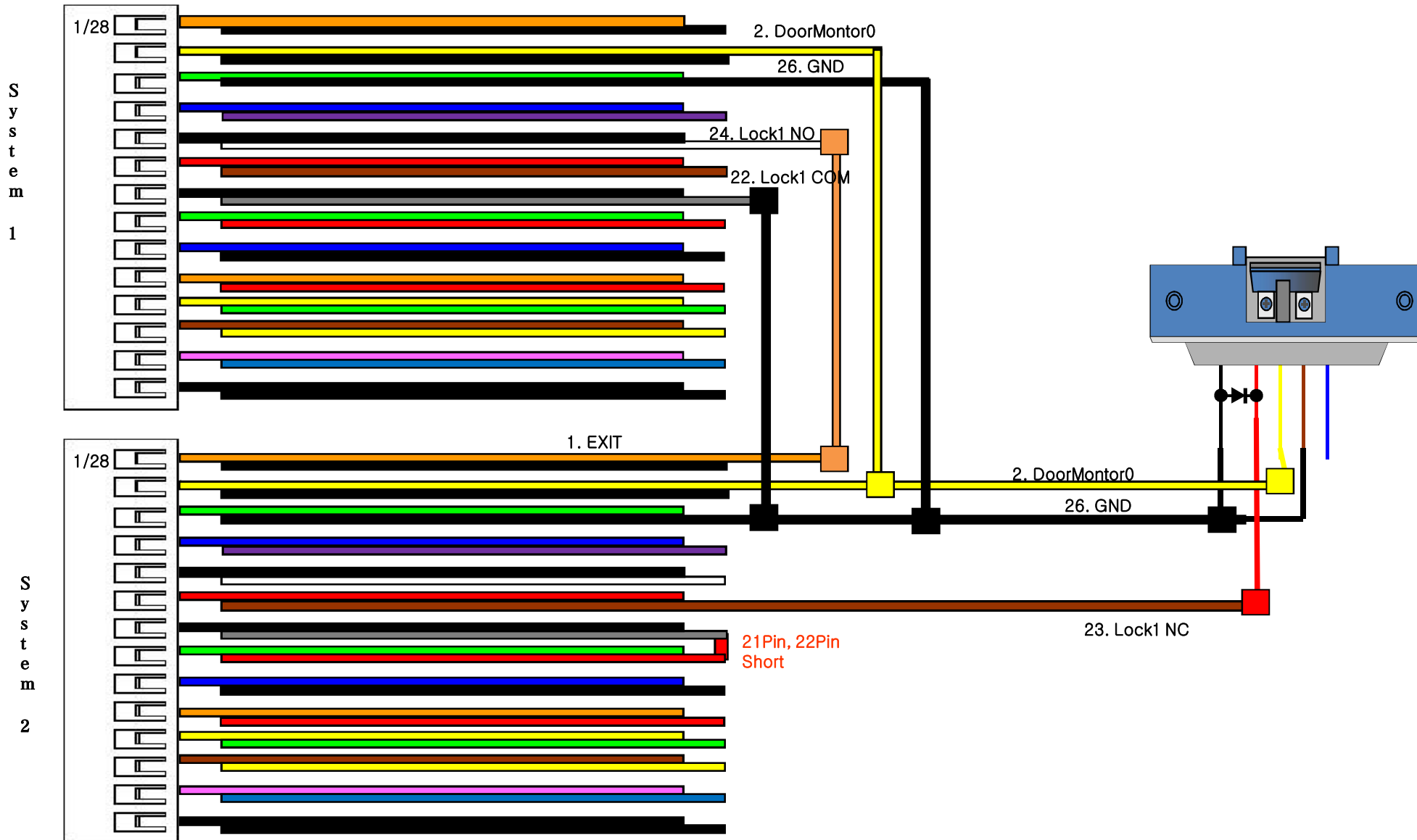
4. Connecting Strike Type Door Lock (Fail Safe)

4.1. Connecting One System/ One Lock



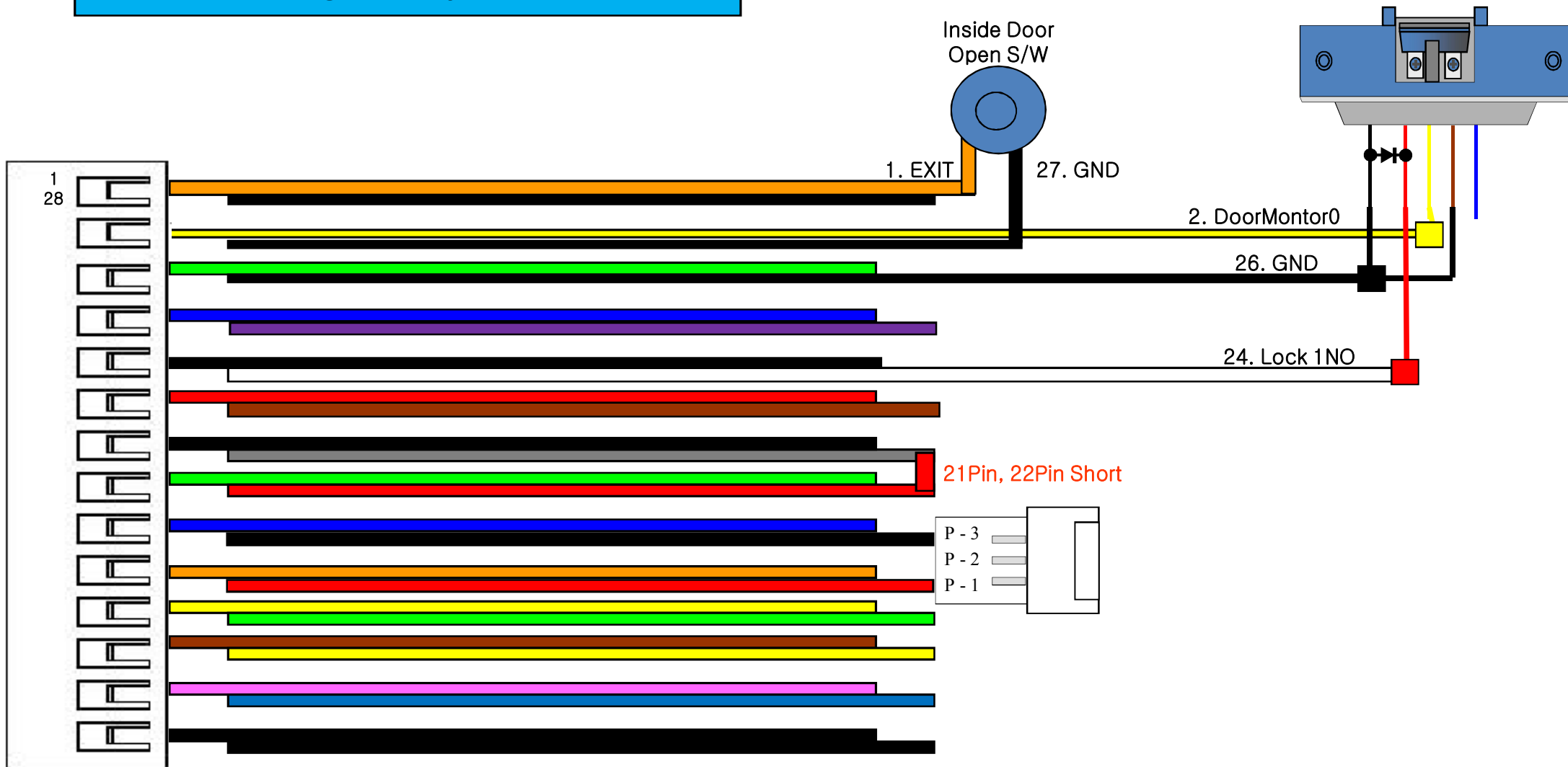
4. Connecting Strike Type Door Lock (Fail Safe)

4.2. Connecting Two Systems/ One Lock



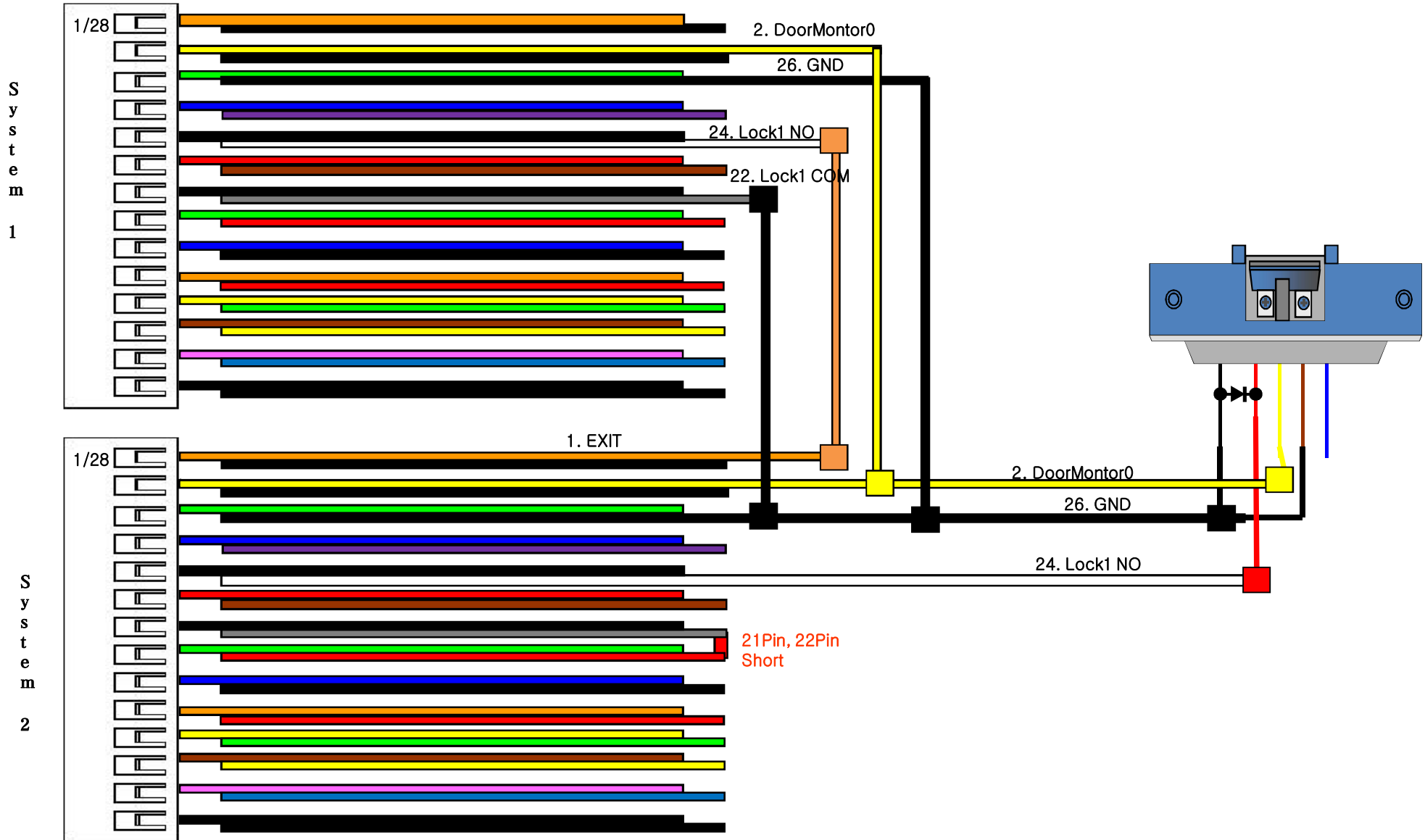
5. Connecting Strike Type Door Lock (Fail Secure)

5.1. Connecting One System/ One Lock



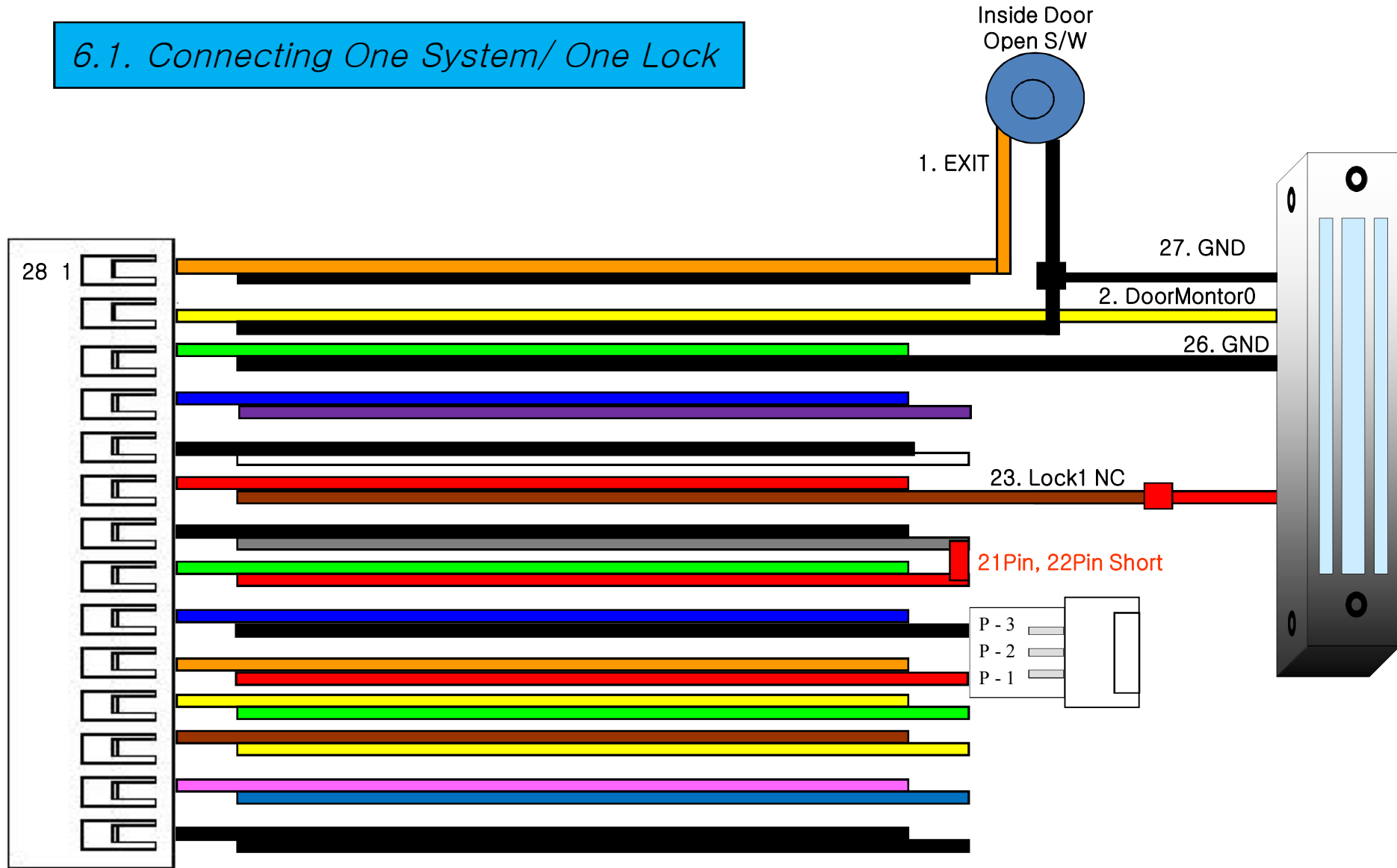
5. Connecting Strike Type Door Lock (Fail Secure)

5.2. Connecting Two Systems/ One Lock



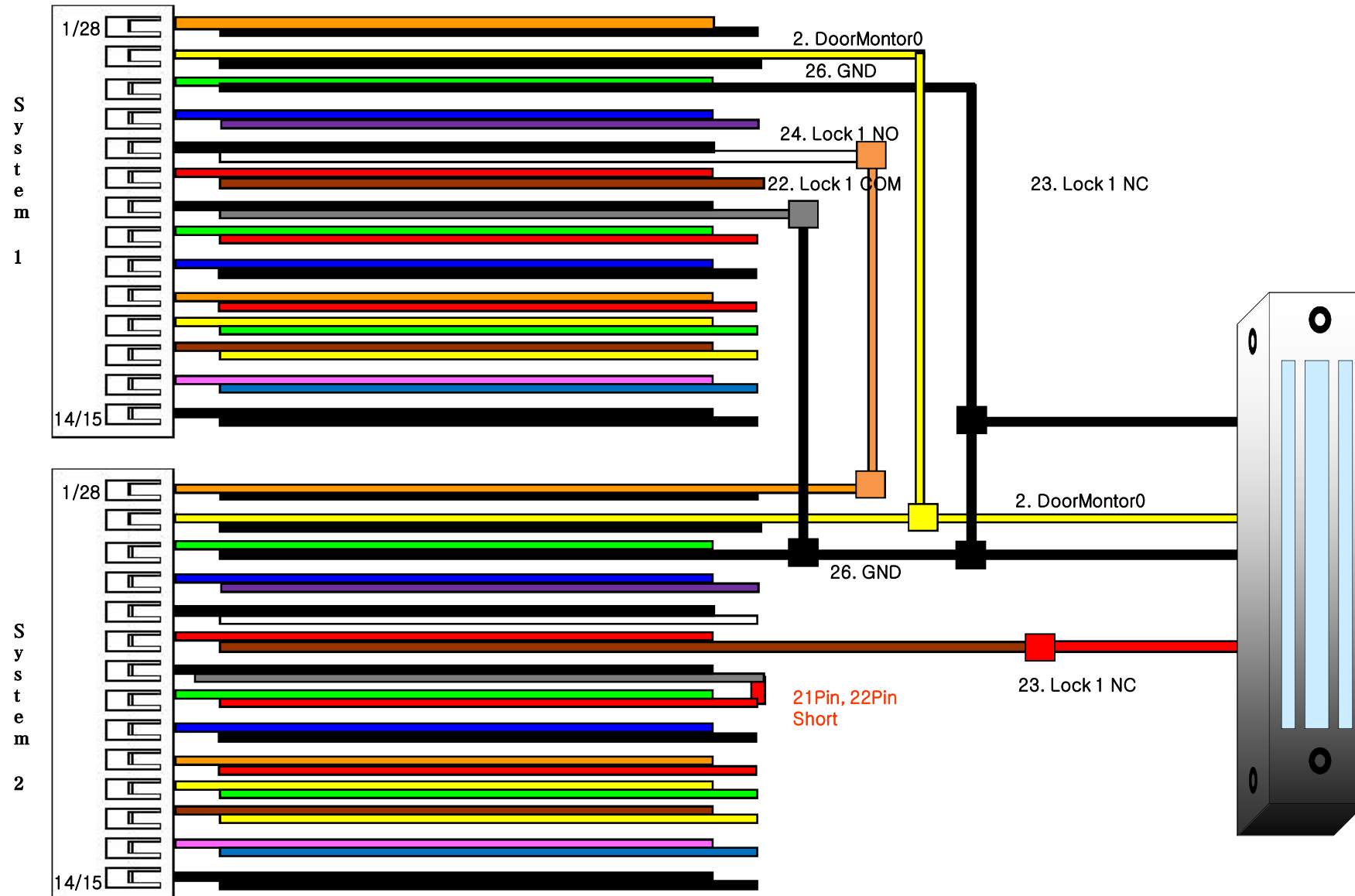
6. Connecting an EM Type Door Lock (Fail Safe)

6.1. Connecting One System/ One Lock



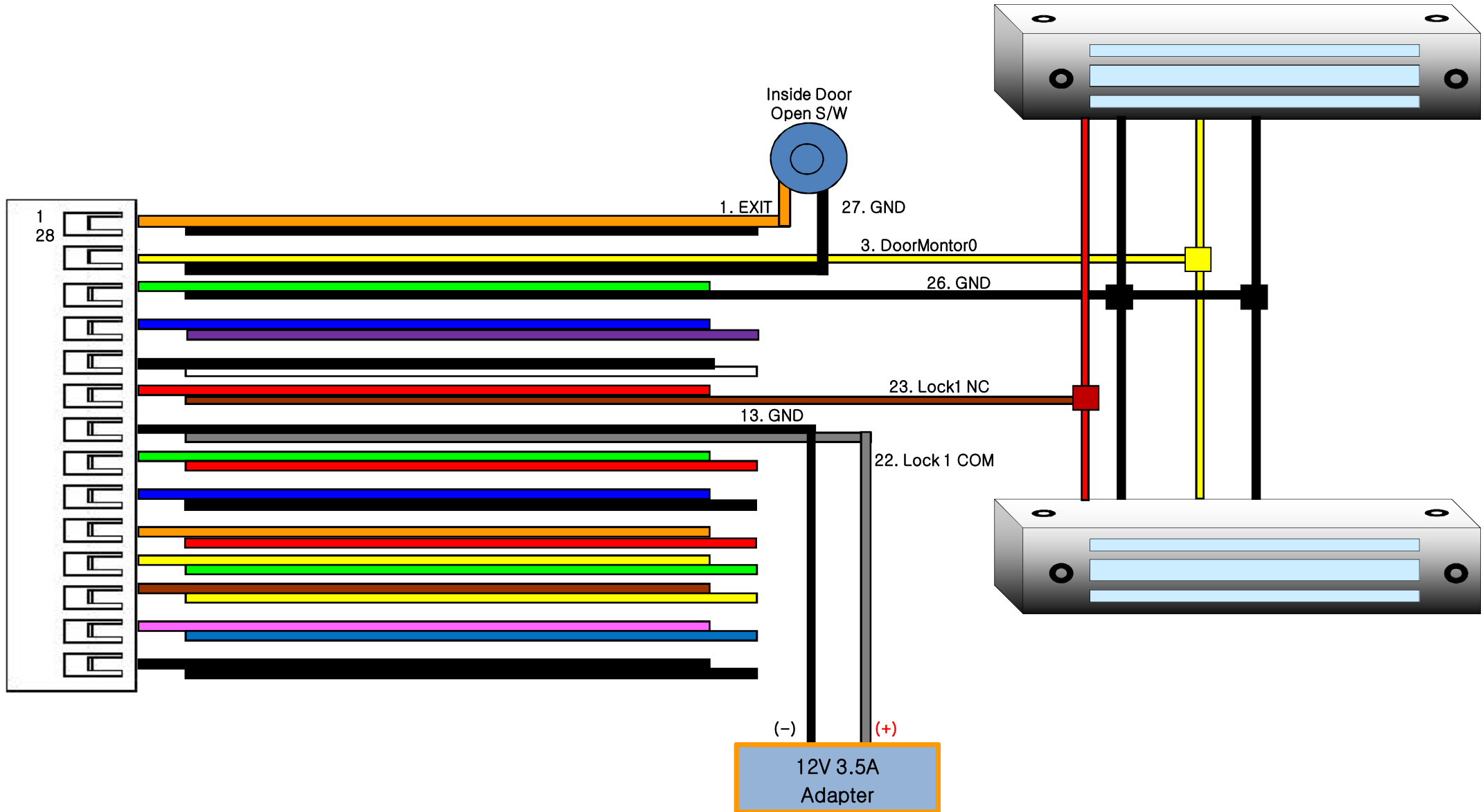
6. Connecting an EM Type Door Lock (Fail Safe)

6.2. Connecting Two Systems/ One Lock



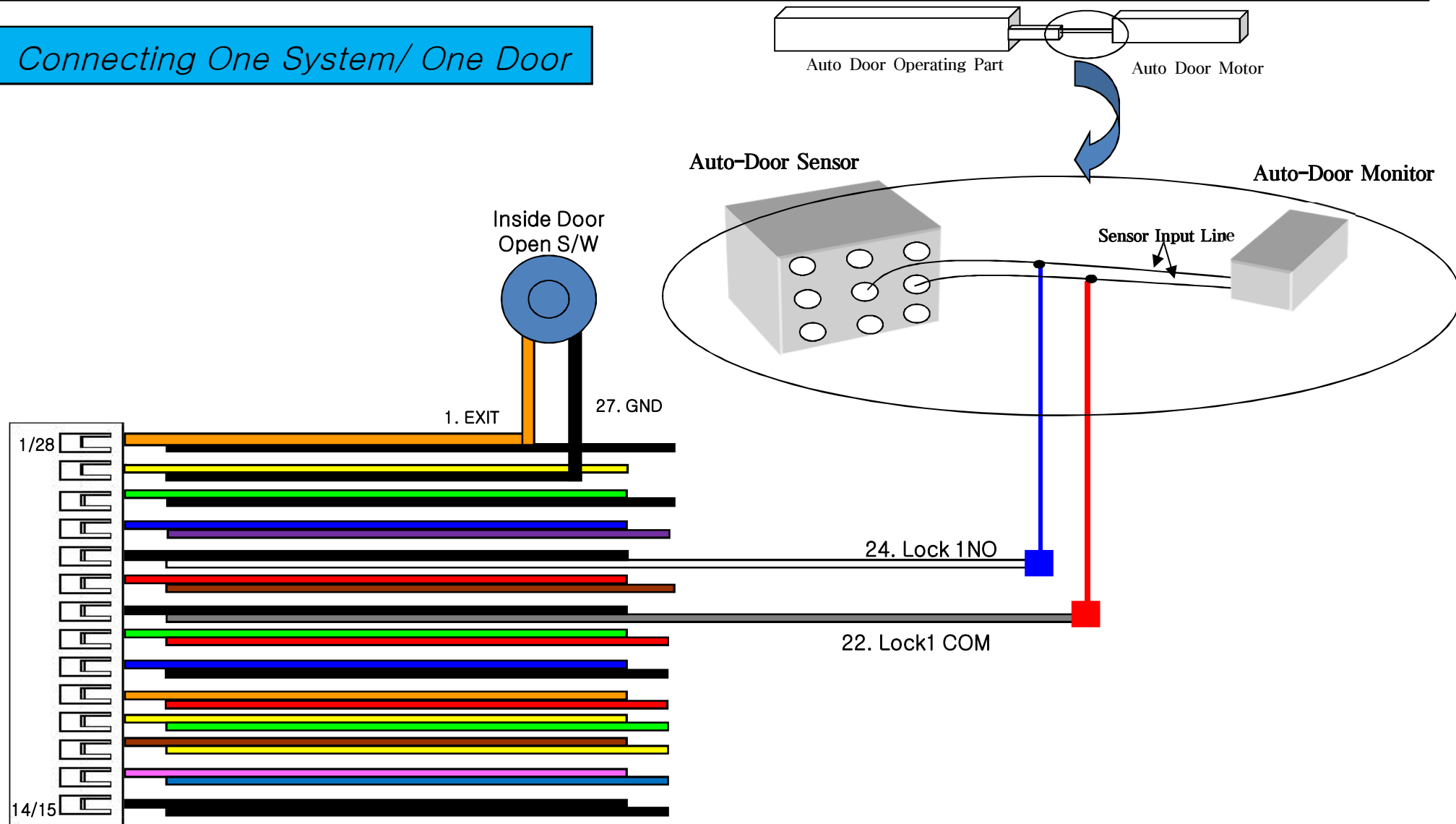
6. Connecting an EM Type Door Lock (Fail Safe)

6.3. Connecting One System/ Two Locks “Use external DC Power adapter”



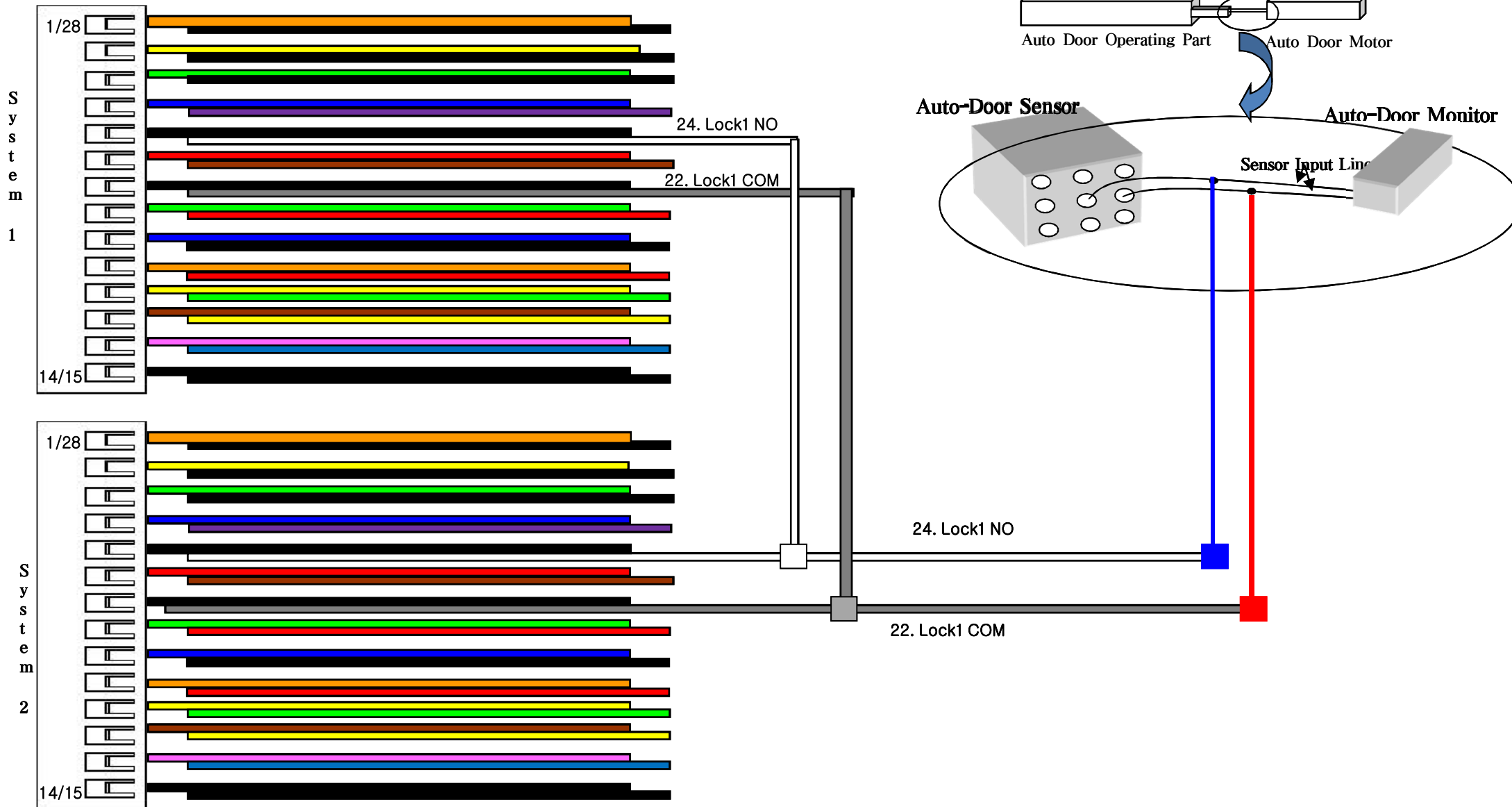
7. Connecting Auto-Door (Contact Control)

7.1. Connecting One System/ One Door

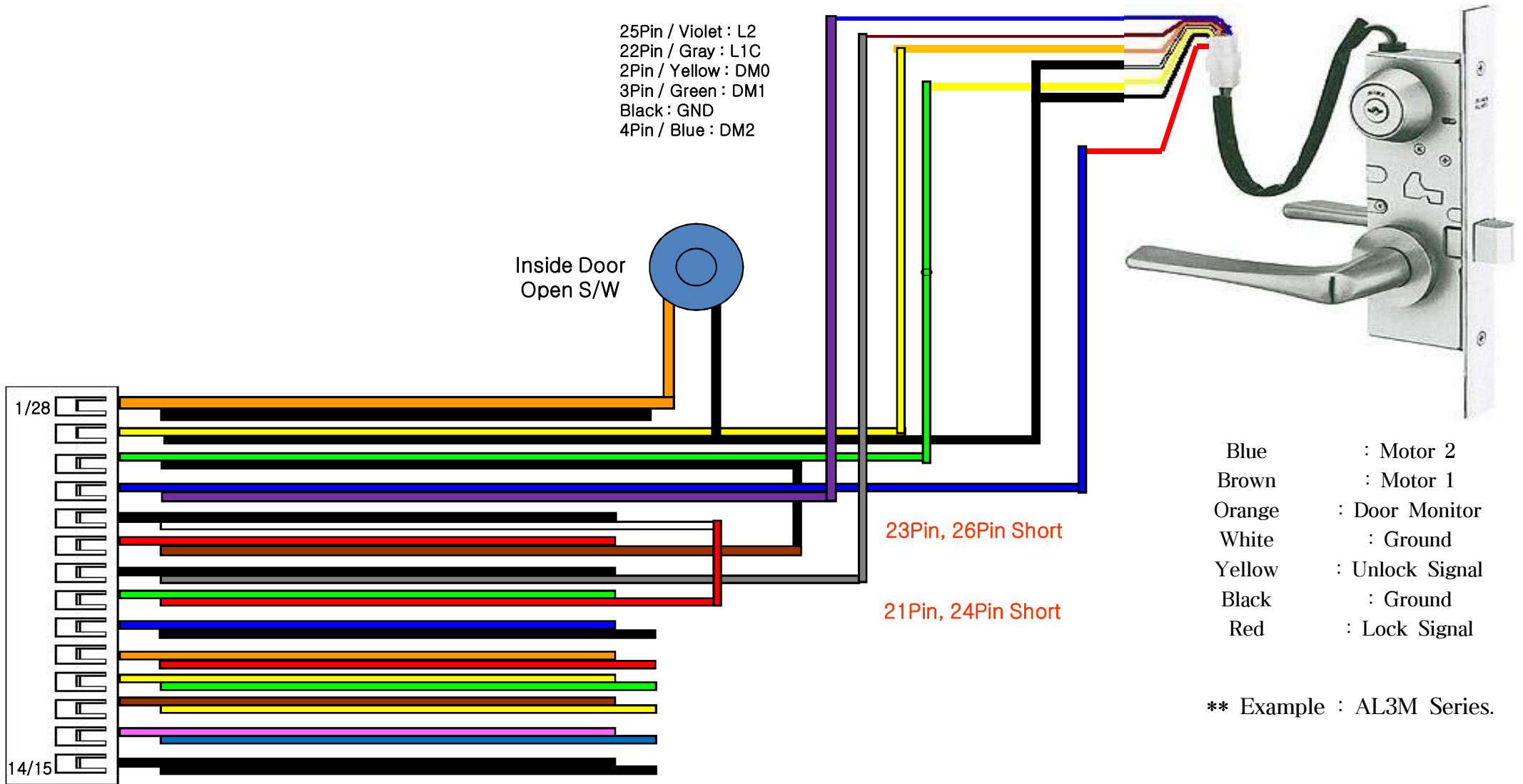


7. Connecting Auto-Door (Contact Control)

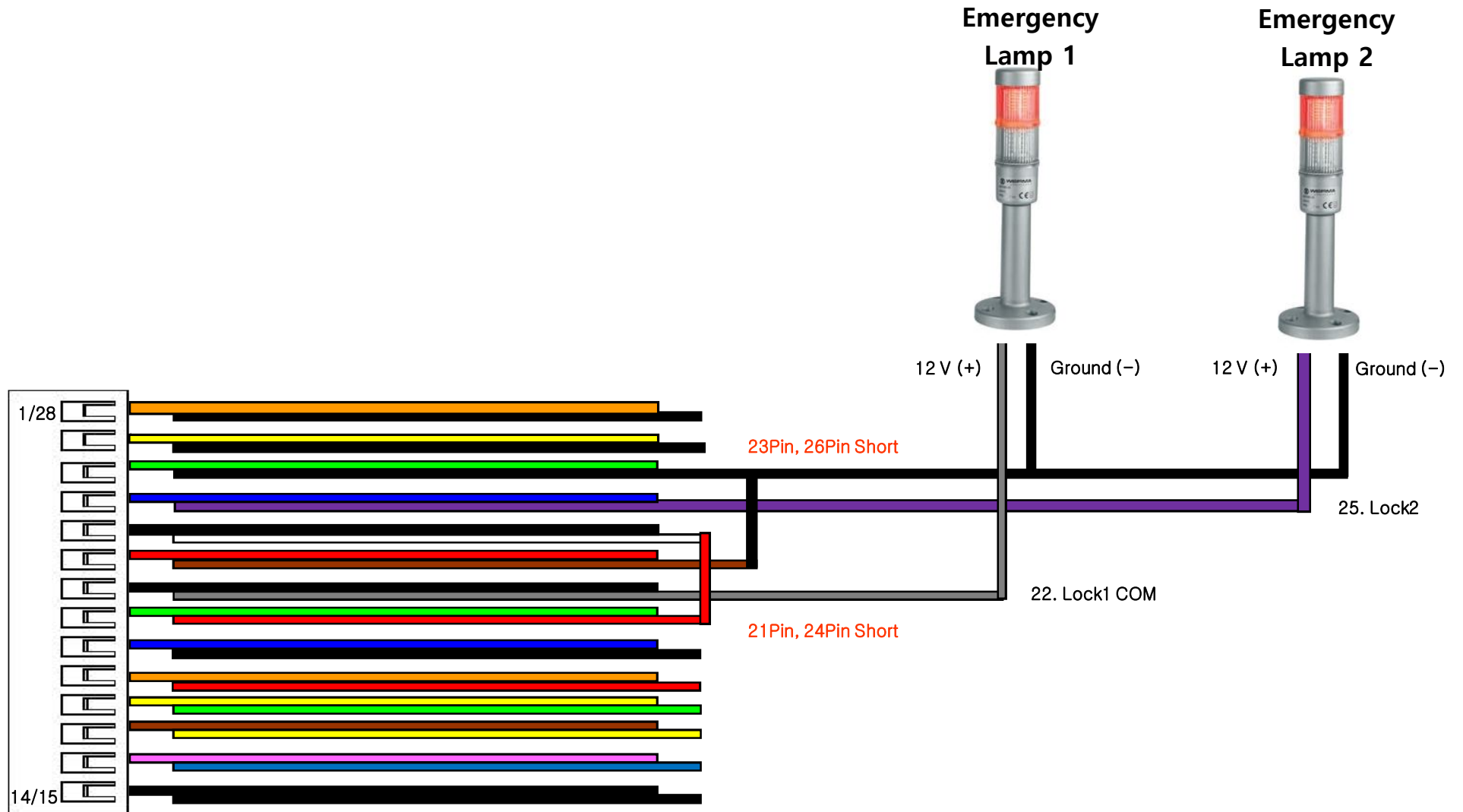
7.2. Connecting Two Systems/ One Lock



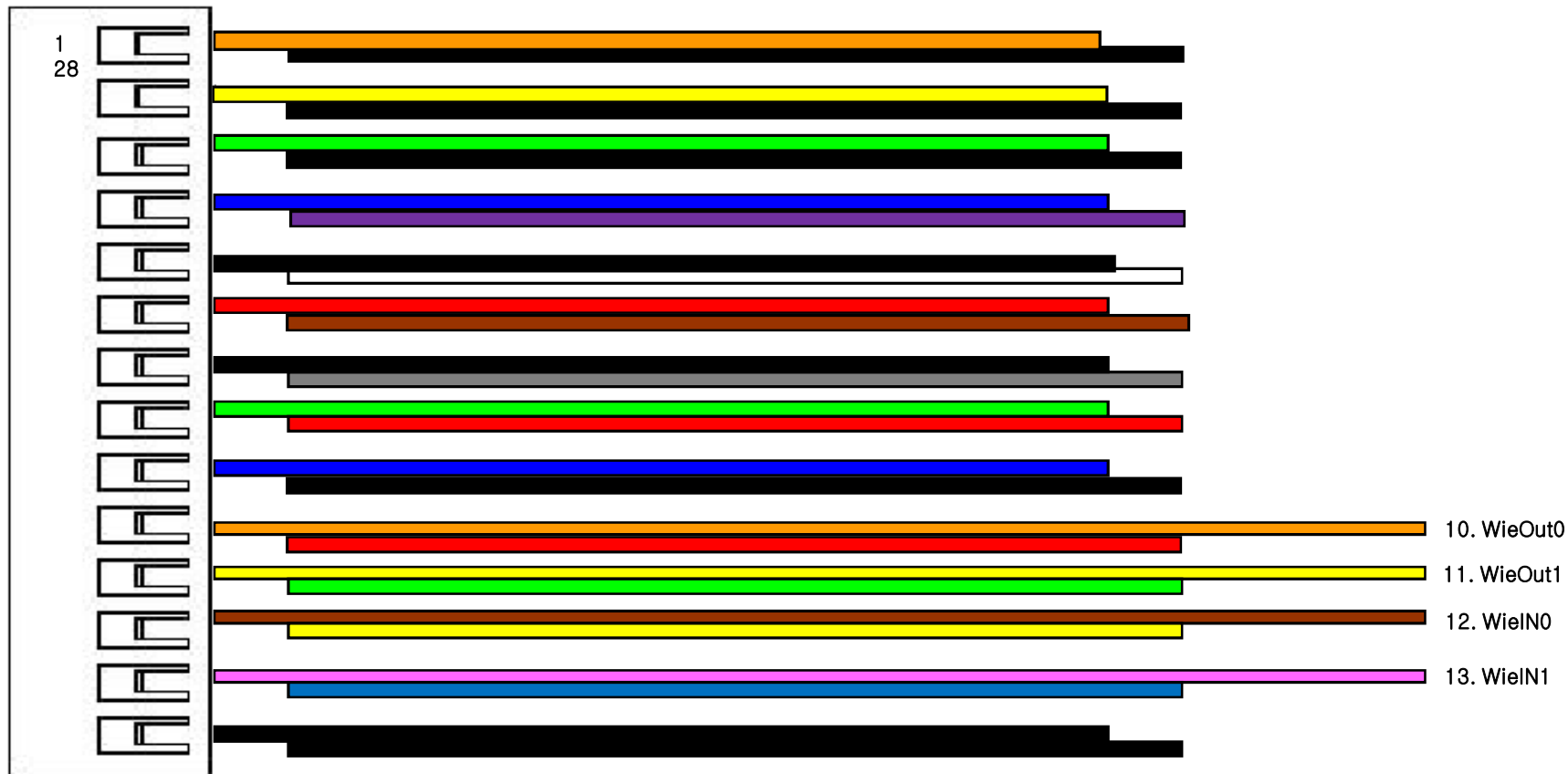
8. Connecting Motoised Lock



9. Connecting Two Emergency Lamp

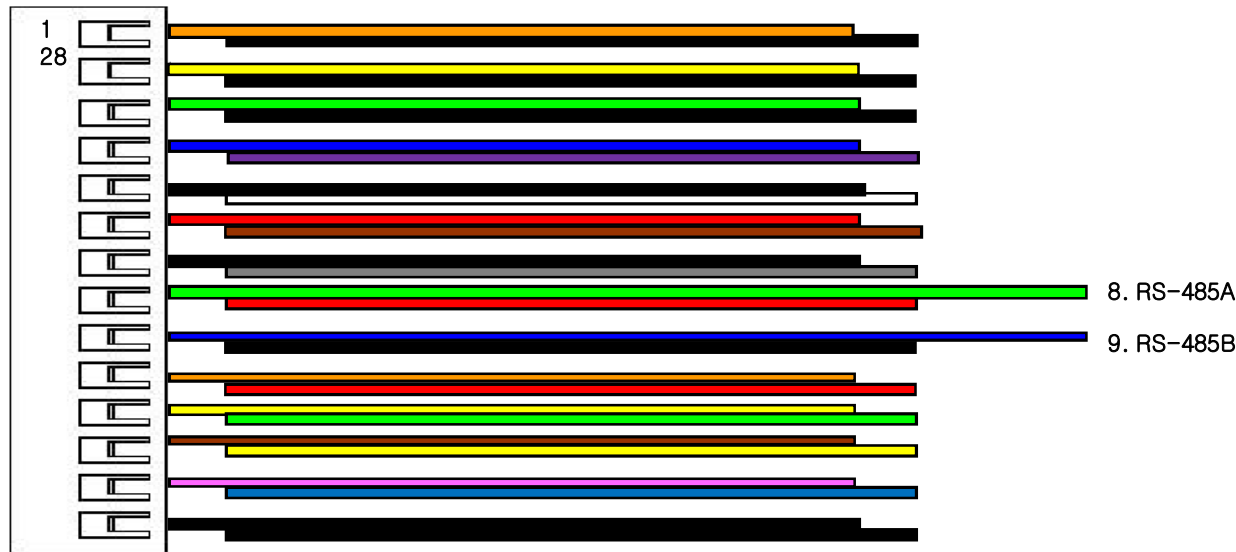


10. Connecting Wiegand IN/OUT to External Controller

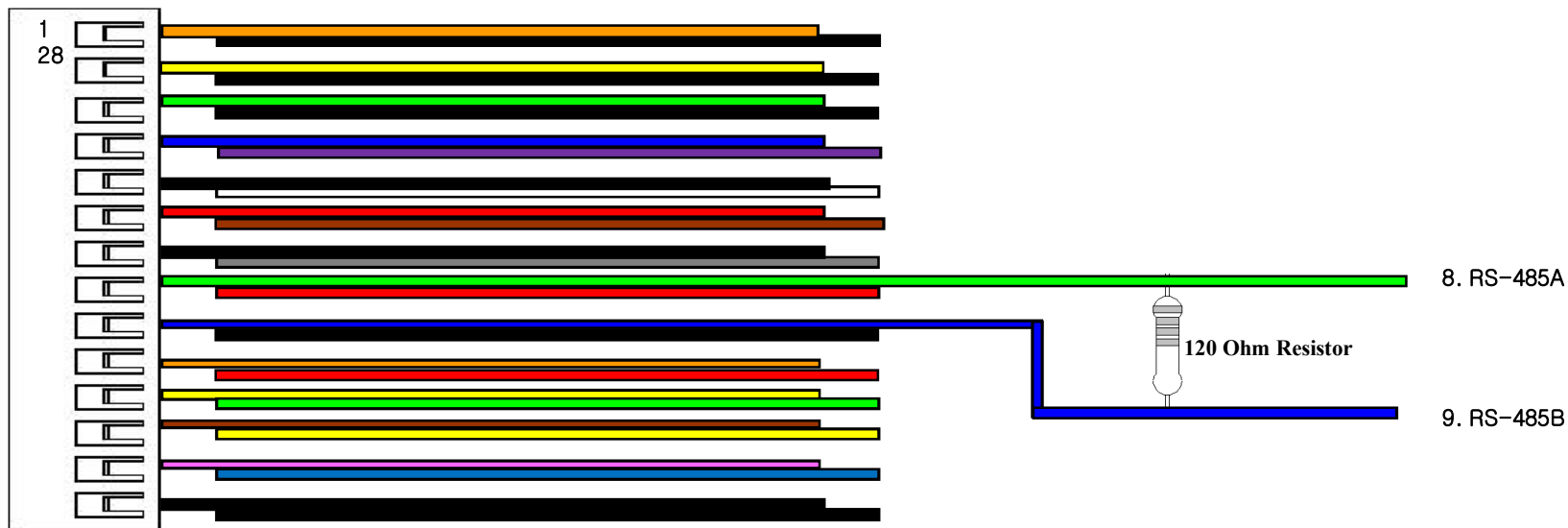


11. Resistor Setting for RS485 End Termination

11.1 RS-485 Setting : Default Setting is off.



11.2 RS-485 Setting : ON: 120 Ohm Resistor is connected between 485A and 485B



12. Wiring Guide

12.1 Terminal & Exit Button

